

URBAN BATH SCREEN

PLEASE READ CAREFULLY AS NOT ALL INSTRUCTIONS ARE THE SAME



URBAN BATH PANEL 1600 x 900

ITEM CODE: URBS900C

- 1.6 metre high bath screens
- Adjustable for out-of-square walls
- Reversible left or right hand application
- Hinges outward
- Chrome finish
- Australian Standards AS/NZ2208, AS1288

Code	Style	Size	Range (mm)
URBS900C	Panel	1600 x 900	900 - 920



URBAN BATH SCREEN

PLEASE READ CAREFULLY AS NOT ALL INSTRUCTIONS ARE THE SAME



GENERAL INFORMATION

Please inspect the product immediately upon receipt for transit damage, missing packs/parts or manufacturing fault. Damage reported later cannot be accepted. Please handle the product with care avoiding knocks and shock loading to all sides and edges of the glass.

Notes: Safety glass can not be re-worked.

Please read these instructions carefully before start of installation. Special care should be taken when drilling walls to avoid hidden pipes or electrical cables. Note: This product is heavy and may require two people to install.

Aftercare instructions

After use, your bath screen should be cleaned with soap and water. This is particularly important in hard water districts where insoluble lime salts may be deposited and allowed to build up. Cleaners of a gritty or abrasive nature should not be used. Care should be taken to avoid contact with strong chemicals such as organic solvents and strippers.

Glass cleaners can be used but with caution, if in doubt contact the manufacturer of the cleaner in question.

Please keep these instructions for aftercare and customer service details.

TOOLS REQUIRED



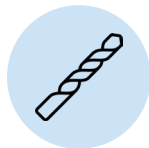
SILICONE



SPIRIT
LEVEL



DRILL



6MM
DRILL BIT



FLAT
SCREWDRIVER



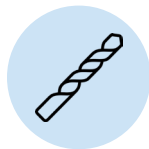
TAPE
MEASURE



PENCIL



HAMMER



3.2MM
DRILL BIT



PHILLIPS HEAD
SCREW DRIVER



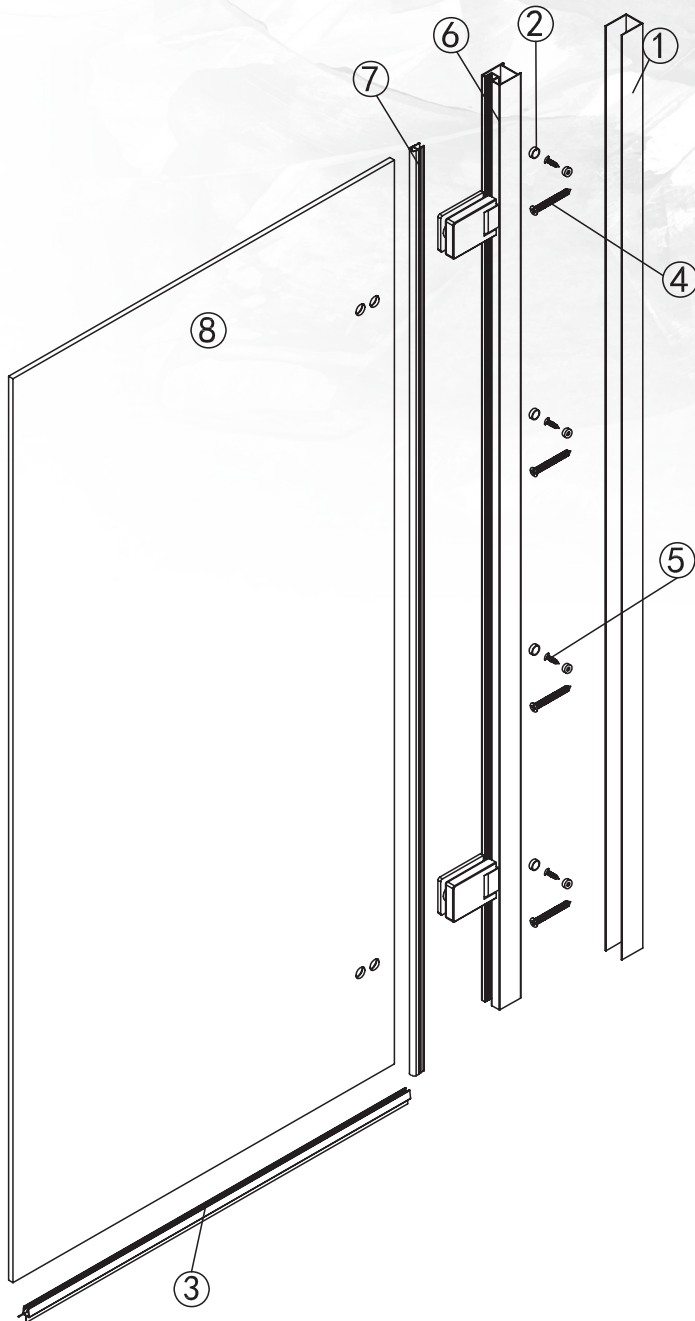
THIS PRODUCT IS HEAVY AND MAY REQUIRE TWO PEOPLE TO INSTALL.

URBAN BATH SCREEN

PLEASE READ CAREFULLY AS NOT ALL INSTRUCTIONS ARE THE SAME



ASSEMBLY DRAWING








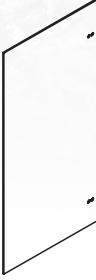



Carefully inspect bath screen prior to installation.
Once screen is installed no claim on damage will be accepted.

URBAN BATH SCREEN

PLEASE READ CAREFULLY AS NOT
ALL INSTRUCTIONS ARE THE SAME



REQUIRED PARTS

No.	Part	Pieces	No.	Designation	Pieces
1		x 1	6		x 1
2		x 4	7		x 1
3		x 1	8		x 1
4	 ST4*45	x 4	9		x 1
5	 ST4*10	x 4			

IMPORTANT

Wall Jamb must be securely fixed to wall, it is recommended screw fix into a timber stud

URBAN BATH SCREEN

PLEASE READ CAREFULLY AS NOT
ALL INSTRUCTIONS ARE THE SAME

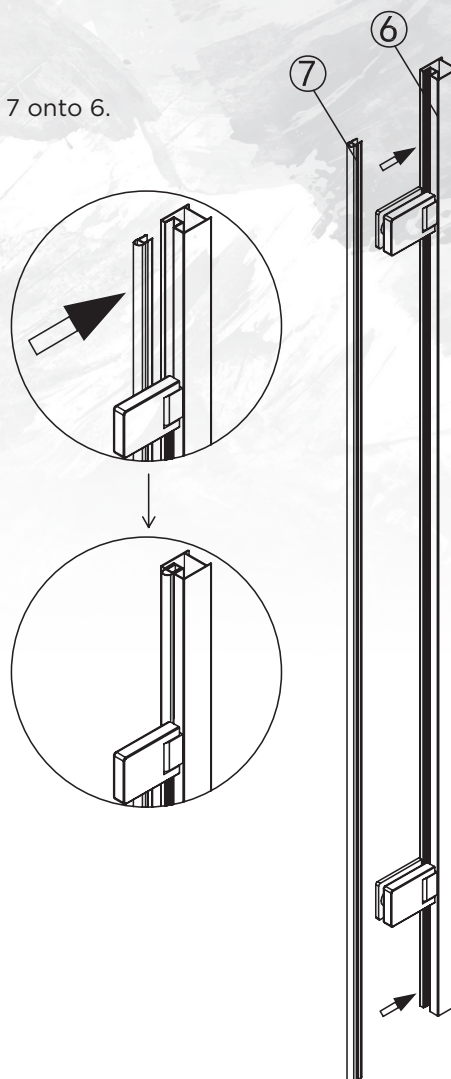


STEP 1

- 1 Remove glass panel and all fittings from box. Do not throw out box as this is required for hinge assembly.

STEP 2

- 2 Install 7 onto 6.



URBAN BATH SCREEN

PLEASE READ CAREFULLY AS NOT ALL INSTRUCTIONS ARE THE SAME

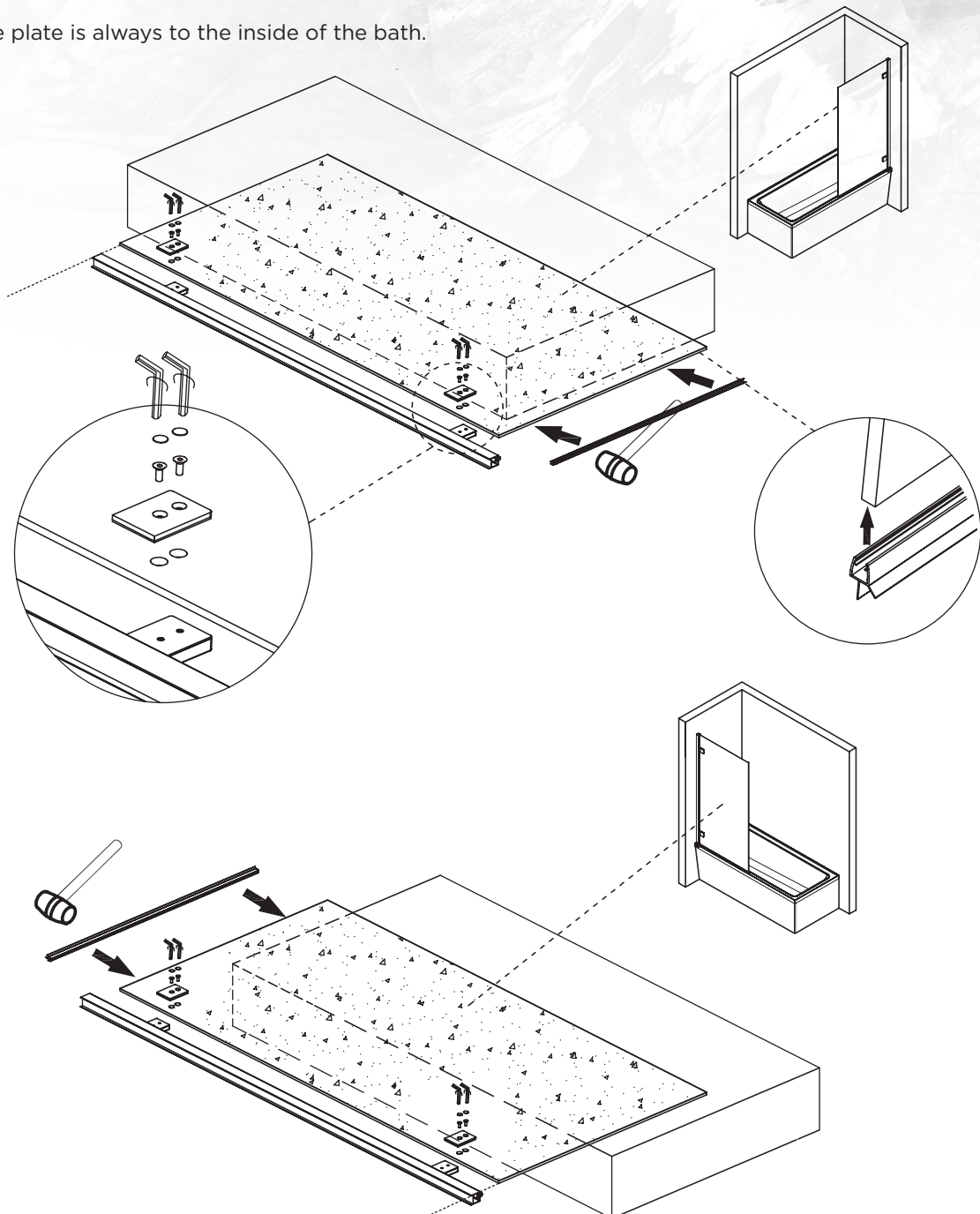


STEP 3

3 Decide if door is left or right hand hinge.

Place door on the bath screen box leaving the holes for the hinges hanging over the edge. Line up hinge with the hinge plate and screw together.

The hinge plate is always to the inside of the bath.



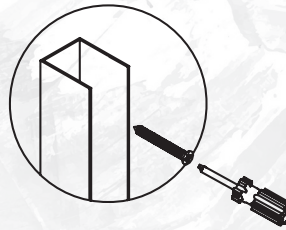
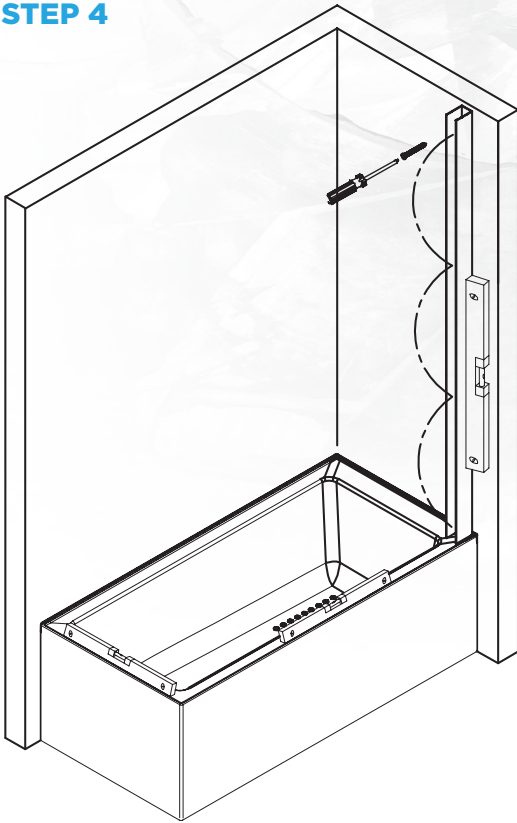
6-6

URBAN BATH SCREEN

PLEASE READ CAREFULLY AS NOT ALL INSTRUCTIONS ARE THE SAME



STEP 4

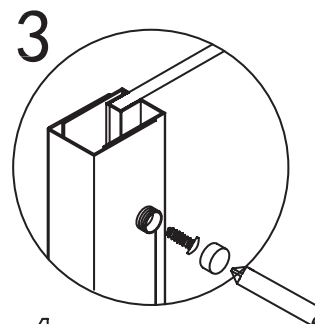
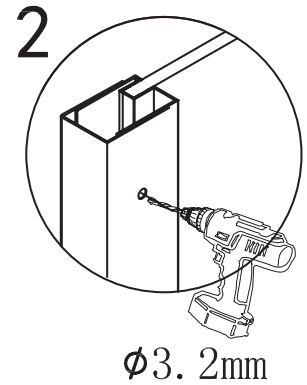
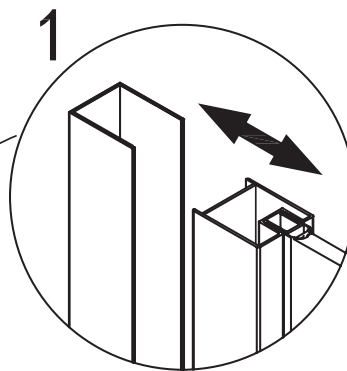
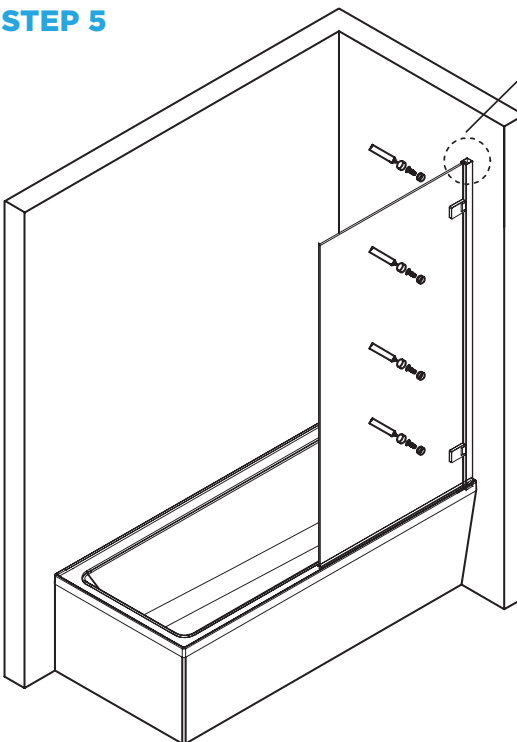


IMPORTANT

Wall Jamb must be securely fixed to wall, it is recommended screw fix into a timber stud



STEP 5



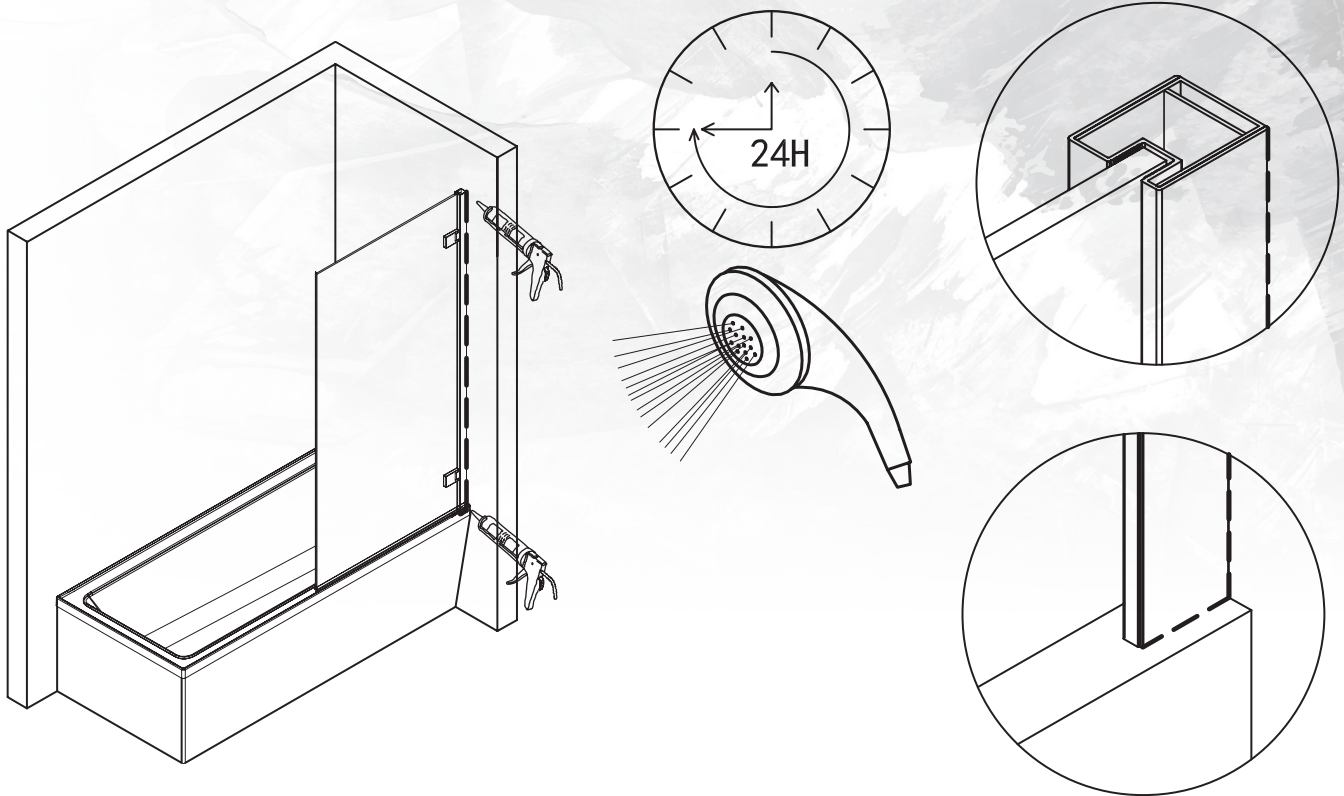
ST4*10 ⊕

URBAN BATH SCREEN

PLEASE READ CAREFULLY AS NOT
ALL INSTRUCTIONS ARE THE SAME



STEP 7



- 7 Apply silicone sealer around all external joints of bath screen and allow 24 hours for silicone to set.

Silicone is not used on the inside of the bath screen because in time water can build up within the wall jamb and make the screen leak out of the bath area. The screens are designed to allow water to return into the bath area if any present.

Screen are not sealed on the inside, will void warranty.