

# KUBIX SHOWER PANEL OPTIONS

## SPECIFICATIONS

The Kubix 90° Joiner allows standard size Kubix shower panels to be added to enable various widths and depths. The following table shows examples of combinations that can be created by incorporating the Kubix 90° Joiner.

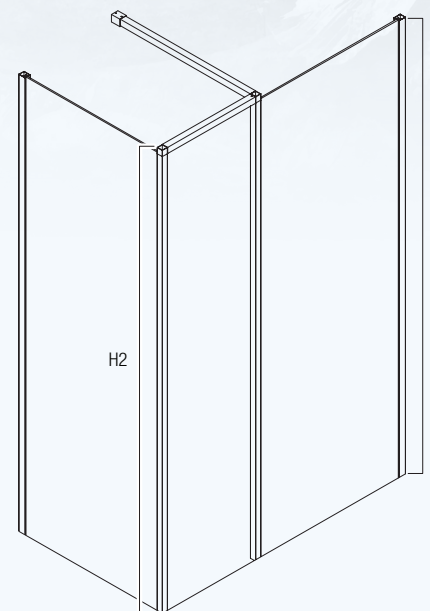
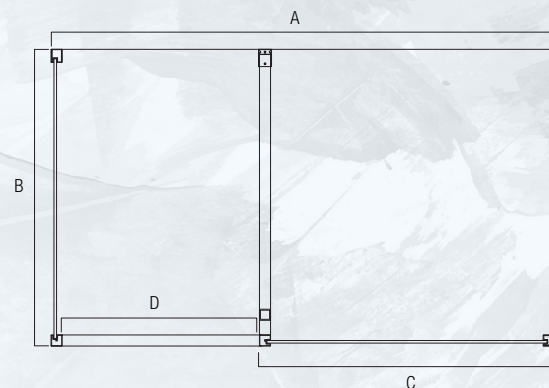
### KUBIX SHOWER PANEL OPTIONS

Code	Style
KUEXTC	90° Joiner Chrome
KUEXTMB	90° Joiner Matt Black
KUEXTMW	90° Joiner Matt White

Kubix 90° Joiner allows Kubix shower panels to be joined together to create multiple walk-in shower options. Suits 900, 1000, 1200, 1500mm fixed panel configurations. Kubix 90° Joiner (right) is an illustration sample only of KUEXTC model.

Size	Width	Depth	Depth Code	Fixed	Fixed Code	Opening	Height	Height 2
	A	B		C		D		(H2)
1500 x 900	1455 - 1480	855 - 880	KUSP90C	855 - 880	KUSP90C	568	2000	2032
1500 x 1000	1455 - 1480	955 - 980	KUSP100C	955 - 980	KUSP100C	468	2000	2032
1800 x 900	1755 - 1780	855 - 880	KUSP90C	1155 - 1180	KUSP120C	568	2000	2032
1800 x 1000	1755 - 1780	955 - 980	KUSP100C	1155 - 1180	KUSP120C	568	2000	2032
1800 x 900	1755 - 1780	855 - 880	KUSP90C	955 - 980	KUSP100C	768	2000	2032
1800 x 1000	1755 - 1780	955 - 980	KUSP100C	955 - 980	KUSP100C	768	2000	2032

Note: Table above is shown using Chrome finish panels (ie Depth Code, Fixed Code), if black or white is required, use appropriate codes.



[oceano.com.au](http://oceano.com.au)

All nominated sizes are approximate and correct at time of publication. Oceano reserves the right to make modifications without prior notice. \*Conditions Apply. Updated April 2024

**oceano**  
BATHROOM