

# LOUVE SMC SHOWER BASE

## SPECIFICATIONS

### LOUVE SMC SHOWER BASE 1200 x 900 REAR OUTLET

ITEM CODE: **SAM1290**

- Cement based tile adhesive mortar bed or silicone installation
- SMC (Sheet Moulded Compound)
- Low Profile 45mm high
- Light weight / Strength / Weight: 18kg
- Tile flange on all four sides
- Chrome Dome Waste Cover included
- Modern design
- Easy installation
- Design registered
- Bases can be rotated to allow for alternate waste positions



**7 Year  
Replacement  
Warranty\***

#### ALSO AVAILABLE IN:

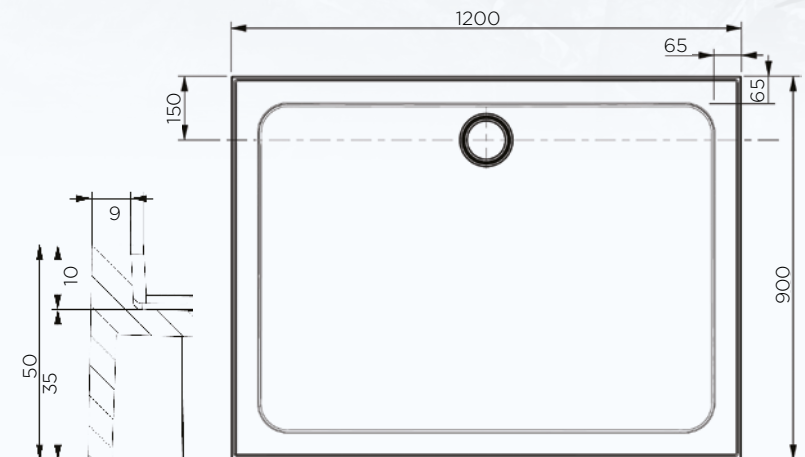
- 900 x 900 Rear Outlet

**oceano.com.au**

All nominated sizes are approximate and correct at time of publication. Oceano reserves the right to make modifications without prior notice. \*Conditions Apply. Updated February 2024



*Chrome Dome Waste Cover detail*



**oceano**  
BATHROOM