

URBAN SLIDER SHOWER SCREEN

PLEASE READ CAREFULLY AS NOT ALL INSTRUCTIONS ARE THE SAME



URBAN SLIDER SHOWER SCREEN

- 2 metre high shower screens
- Adjustable for out-of-square walls
- Reversible left or right hand application
- Matte Black or Chrome finish
- Mirror door option in Chrome finish only
- Suitable for Stonelite™ shower base and tile floor installation
- Adjustable size range
- Front only option available
- Australian Standards AS/NZ2208, AS1288

Style	Matt Black	Chrome	Size	Range (mm)
Return Panel	UR90RSMB	UR90RSC	900 x 2000	855 - 880
Front	UR12FSMB	UR12FSC	1200 x 2000	1162 - 1182
Chrome Front Mirror Door		MTSPS115C	1200 x 2000	1125 - 1150
Wall Bracket	USWDMB	USWD	1200x2000	1155 - 1170

Required for front only (alcove)

*Note: For front only (alcove) UR12FSC/MTSPS115C + USWD = 1155 - 1170
Mirror sliding door and clear glass fixed panel

Size	Front	Return	Fixed	Opening	Height
	A	B	C	D	H
1200x900	1155 - 1180	855 - 880	550	460	2000



URBAN SLIDER SHOWER SCREEN

**PLEASE READ CAREFULLY AS NOT
ALL INSTRUCTIONS ARE THE SAME**



GENERAL INFORMATION

Please inspect the product immediately upon receipt for transit damage, missing packs/parts or manufacturing fault. Damage reported later cannot be accepted. Please handle the product with care avoiding knocks and shock loading to all sides and edges of the glass.

Notes: Safety glass can not be re-worked.

Please read these instructions carefully before start of installation. Special care should be taken when drilling walls to avoid hidden pipes or electrical cables. Note: This product is heavy and may require two people to install.

Aftercare instructions

After use, your shower should be cleaned with soap and water. This is particularly important in hard water districts where insoluble lime salts may be deposited and allowed to build up. Cleaners of a gritty or abrasive nature should not be used. Care should be taken to avoid contact with strong chemicals such as organic solvents and strippers.

Glass cleaners can be used but with caution, if in doubt contact the manufacturer of the cleaner in question.

Please keep these instructions for aftercare and customer service details.

TOOLS REQUIRED



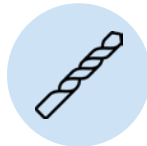
SILICONE



SPIRIT
LEVEL



DRILL



6MM
DRILL BIT



FLAT
SCREWDRIVER



TAPE
MEASURE



PENCIL



HAMMER



3.2MM
DRILL BIT



PHILLIPS HEAD
SCREW DRIVER



**THIS PRODUCT IS HEAVY AND MAY
REQUIRE TWO PEOPLE TO INSTALL.**

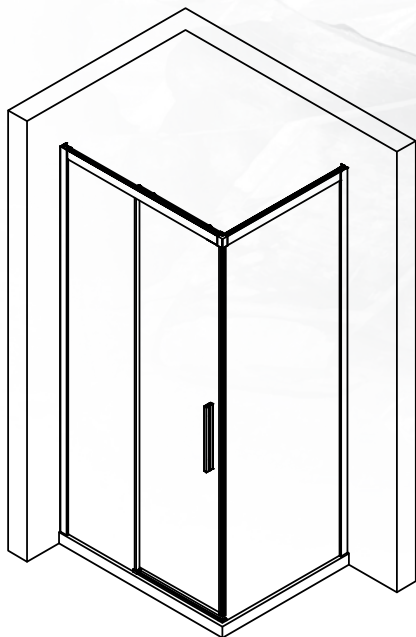
URBAN SLIDER SHOWER SCREEN

PLEASE READ CAREFULLY AS NOT ALL INSTRUCTIONS ARE THE SAME



SET 1

2 sides installation



SET 2

1 sided installation



UR12FSC	UR90RSC	URHARDWARE

	UR12FSC	UR90RSC	URHARDWARE
Set 01	1 x	1 x	-
Set 02	1 x	-	1 x

	STEPS
Set 01	1 2 4 5 6 7 8
Set 02	1 3 9 10 11 12 13

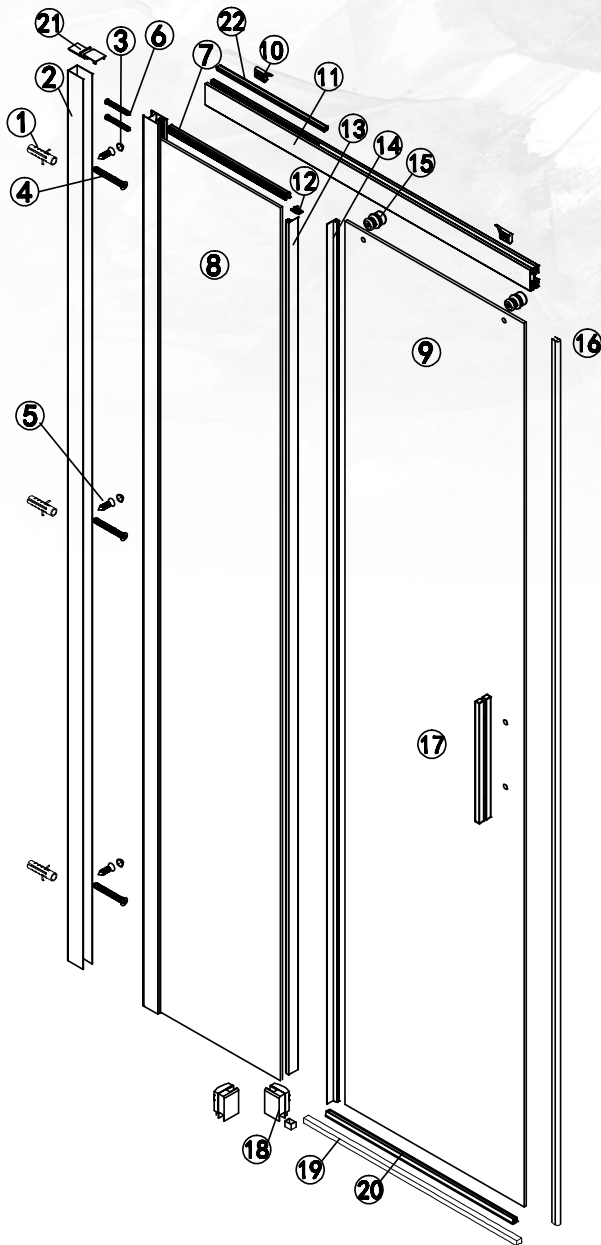
Installation was shown on the example of the shower enclosure installed on the shower tray. If installed directly on the floor, any installation operations should be performed similarly, unless otherwise indicated.

URBAN SLIDER SHOWER SCREEN

PLEASE READ CAREFULLY AS NOT ALL INSTRUCTIONS ARE THE SAME



REQUIRED PARTS



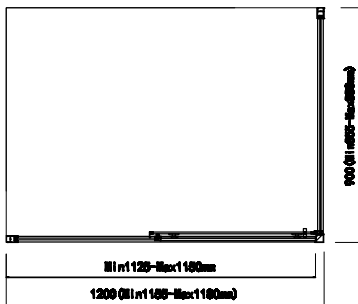
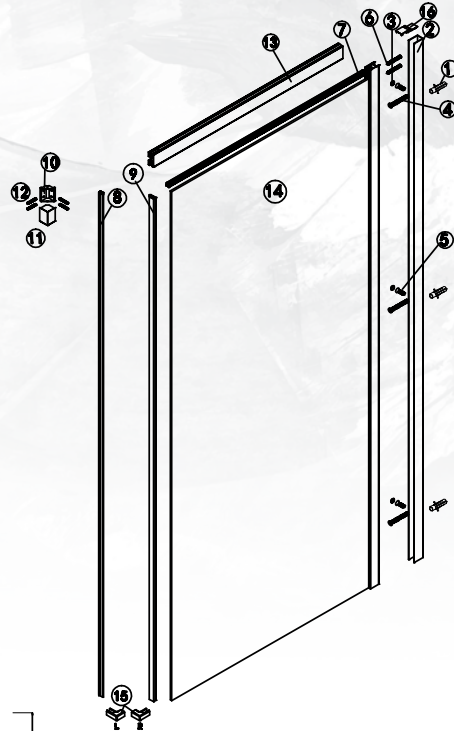
NO.	Part	Pieces
1	$\phi 6$	x3
2		x1
3		x3
4	ST4*35	x3
5	ST4*10	x3
6	ST3.5*35	x2
7		x1
8		x1
9		x1
10		x2
11		x1
12		x1
13		x1
14		x1
15		x2
16		x1
17		x1
18		x1
19		x1
20		x1
23		x1
24		x1

URBAN SLIDER SHOWER SCREEN

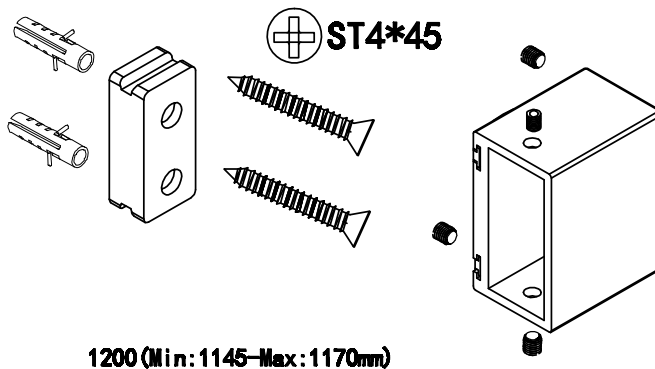
PLEASE READ CAREFULLY AS NOT ALL INSTRUCTIONS ARE THE SAME



REQUIRED PARTS



NO.	Part	Pieces
1	$\phi 6$	x3
2		x1
3		x3
4	\oplus ST4*35	x3
5	\oplus ST4*10	x3
6	\oplus ST3.5*35	x2
7		x1
8		x1
9		x1
10		x1
11		x1
12	\oplus ST3.5*35	x4
13		x1
14		x1
15		x1
16		x1



NO.	Part	Pieces
1	$\phi 6$	x2
2		x1
3		x6
4	\oplus ST4*35	x2
5		x2
6		x2
7		x1
8		x2

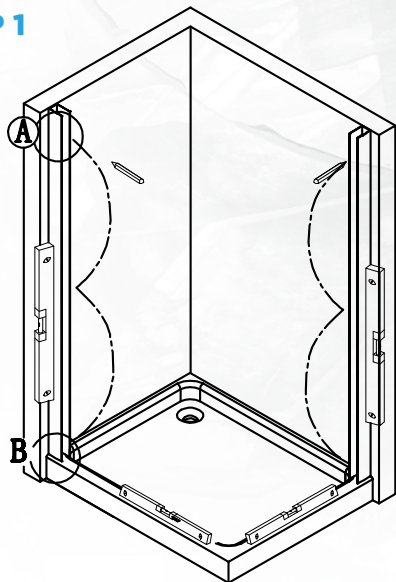
URBAN SLIDER SHOWER SCREEN

PLEASE READ CAREFULLY AS NOT ALL INSTRUCTIONS ARE THE SAME



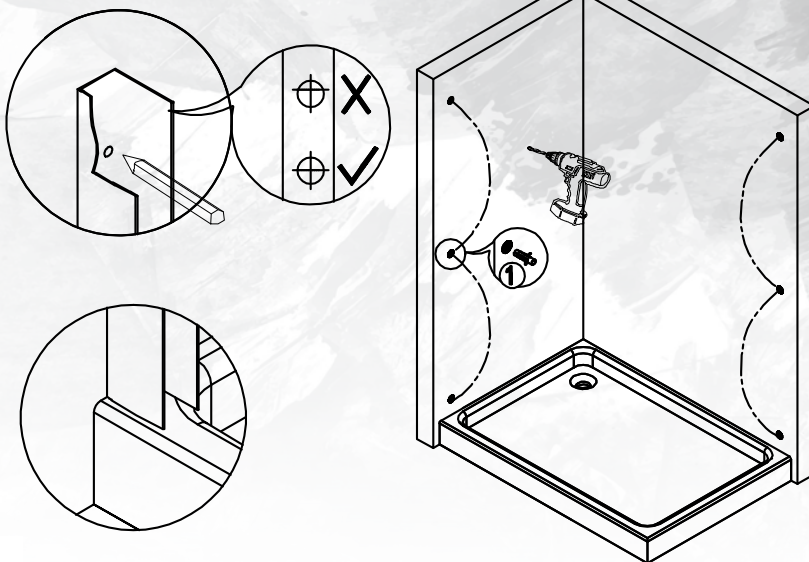
2 SIDES INSTALLATION ONLY

STEP 1

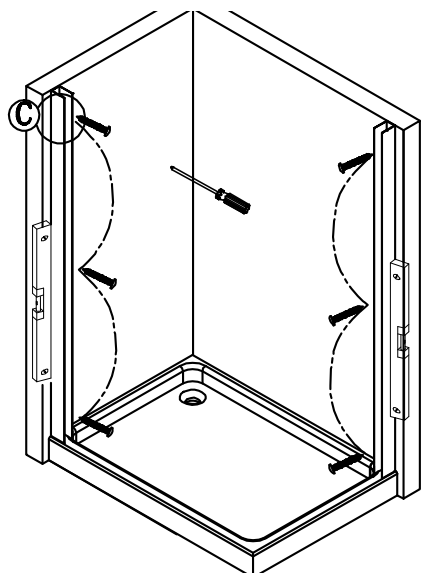


Please level the shower tray before installation

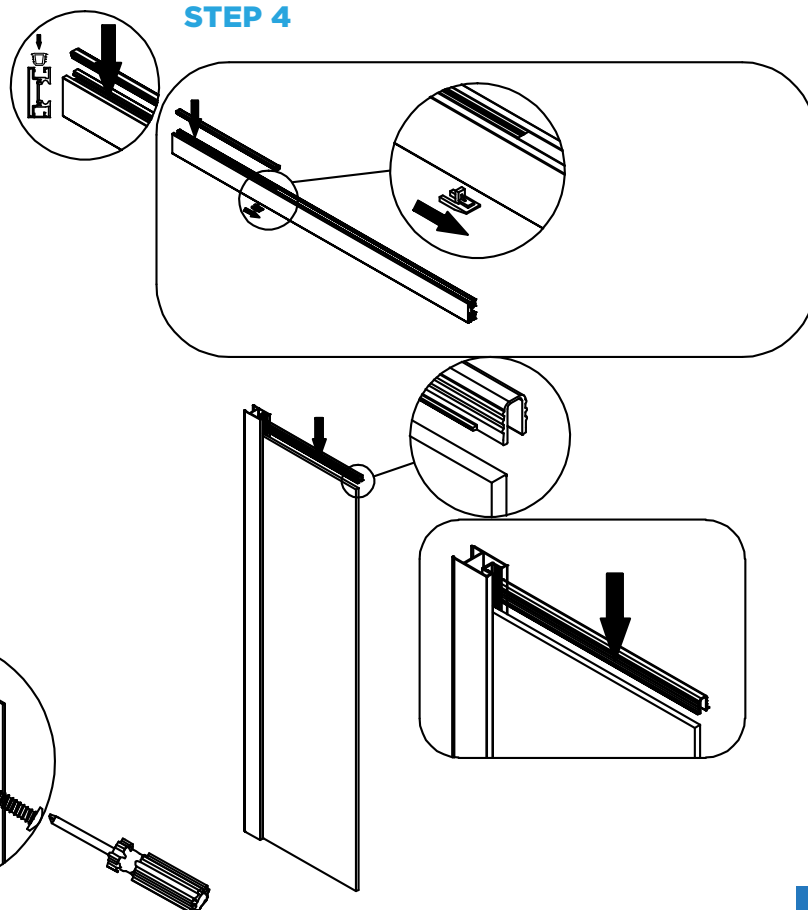
STEP 2



STEP 3



STEP 4



⊕ ST4*35

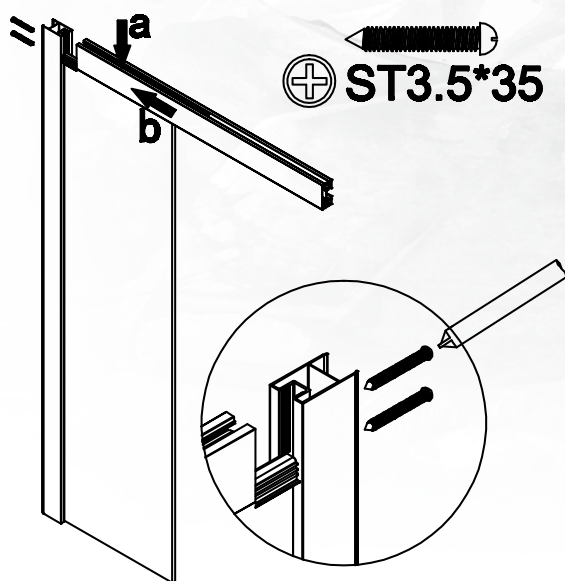


URBAN SLIDER SHOWER SCREEN

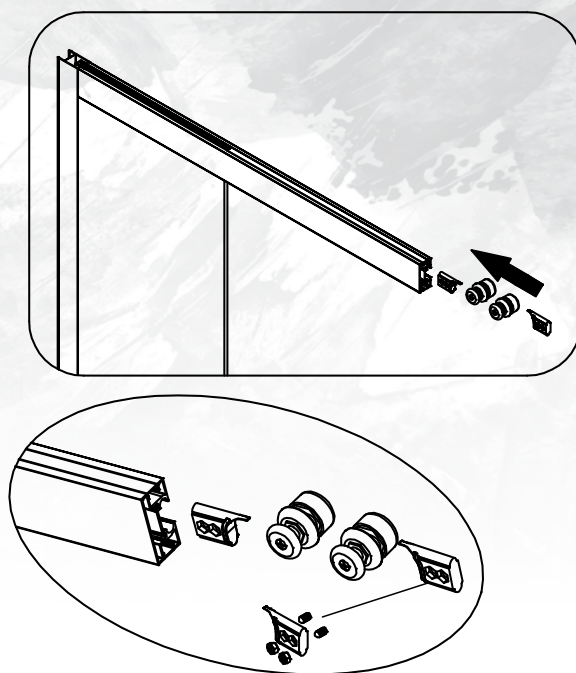
PLEASE READ CAREFULLY AS NOT ALL INSTRUCTIONS ARE THE SAME



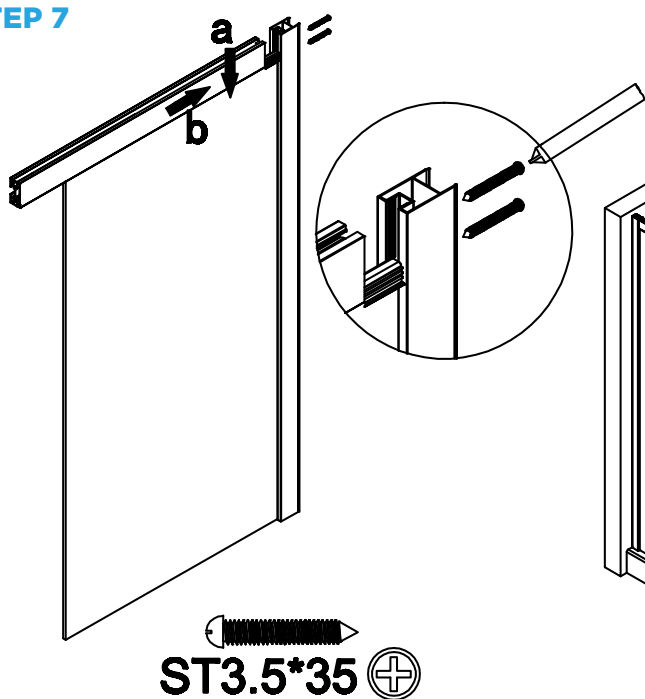
STEP 5



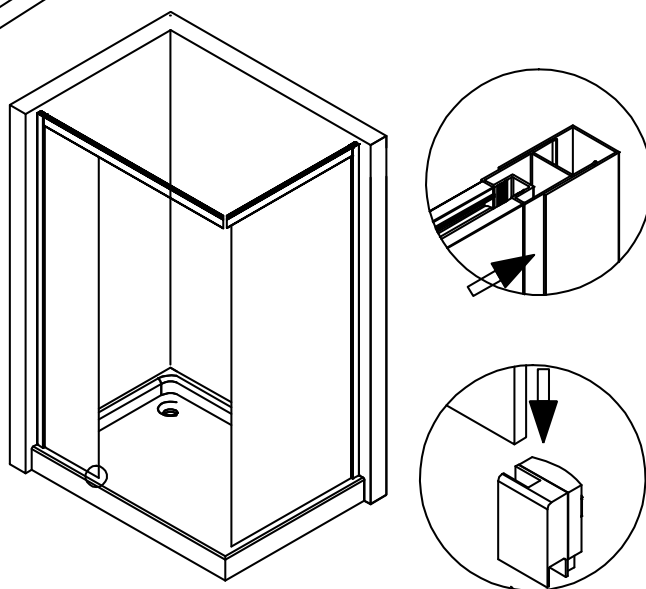
STEP 6



STEP 7



STEP 8

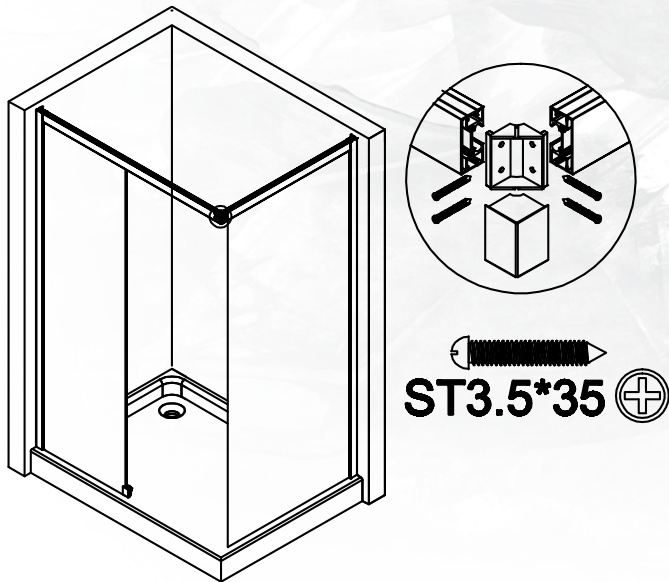


URBAN SLIDER SHOWER SCREEN

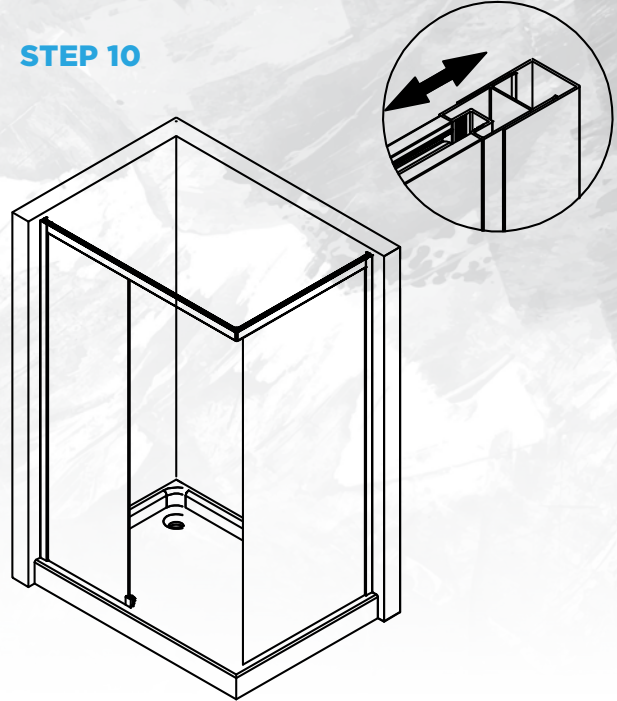
PLEASE READ CAREFULLY AS NOT ALL INSTRUCTIONS ARE THE SAME



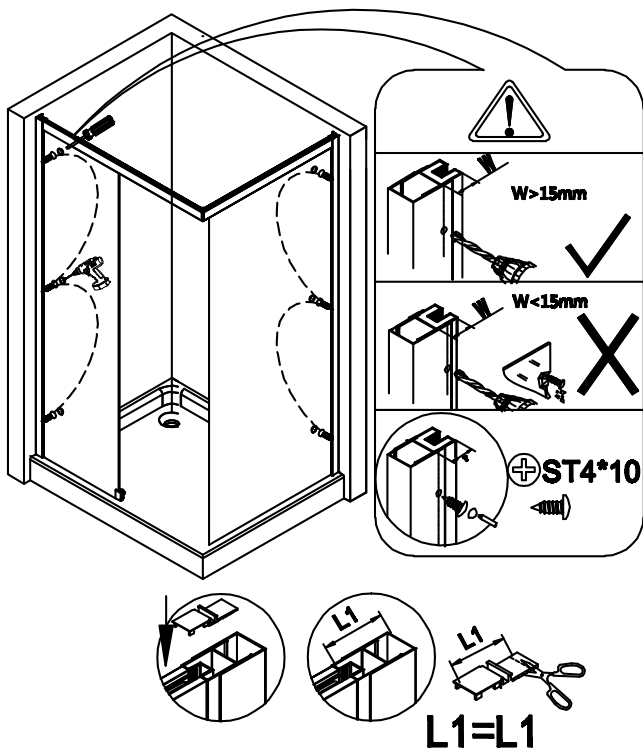
STEP 9



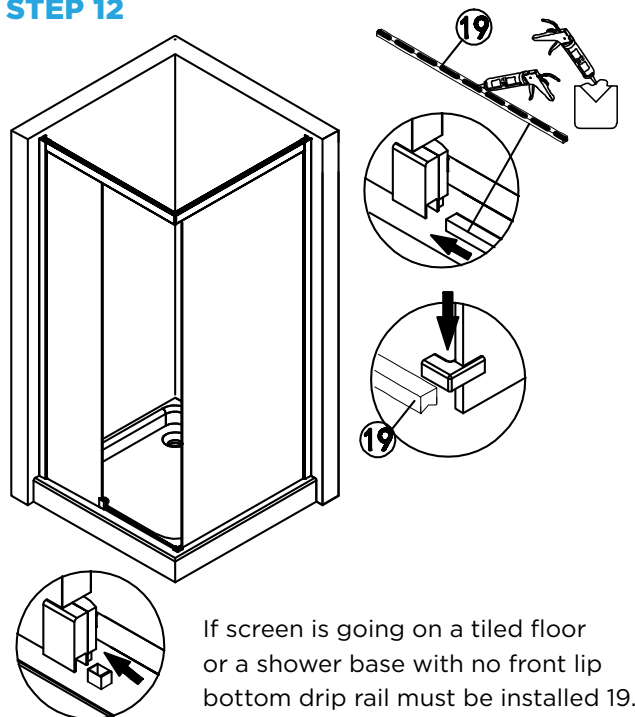
STEP 10



STEP 11



STEP 12



If screen is going on a tiled floor or a shower base with no front lip bottom drip rail must be installed 19.

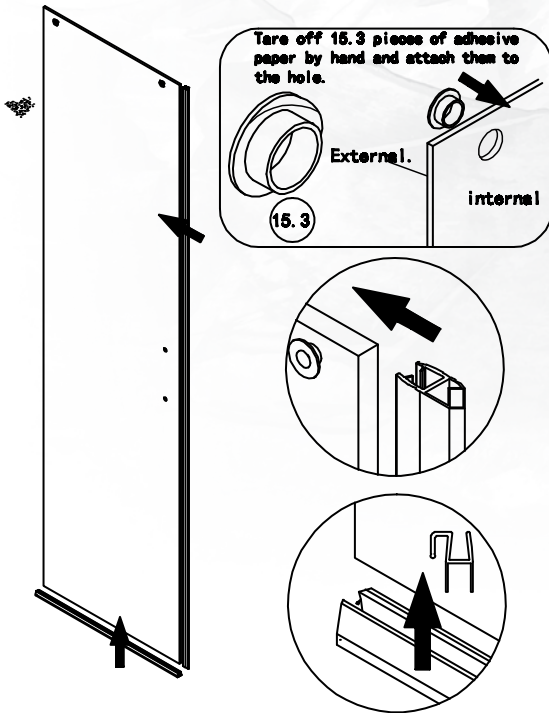
If screen is being installed on a shower base with a front lip, bottom drip rail is optional.

URBAN SLIDER SHOWER SCREEN

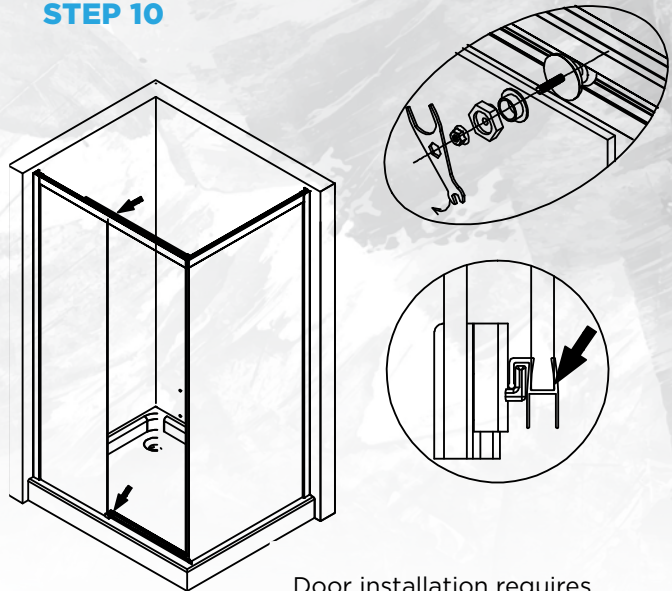
PLEASE READ CAREFULLY AS NOT ALL INSTRUCTIONS ARE THE SAME



STEP 9

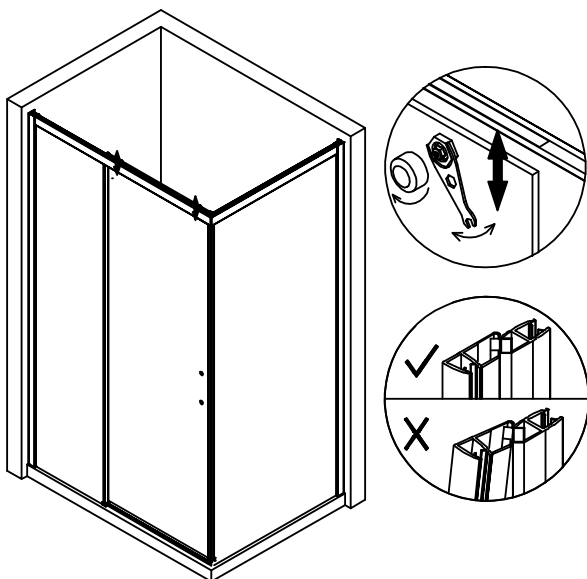


STEP 10

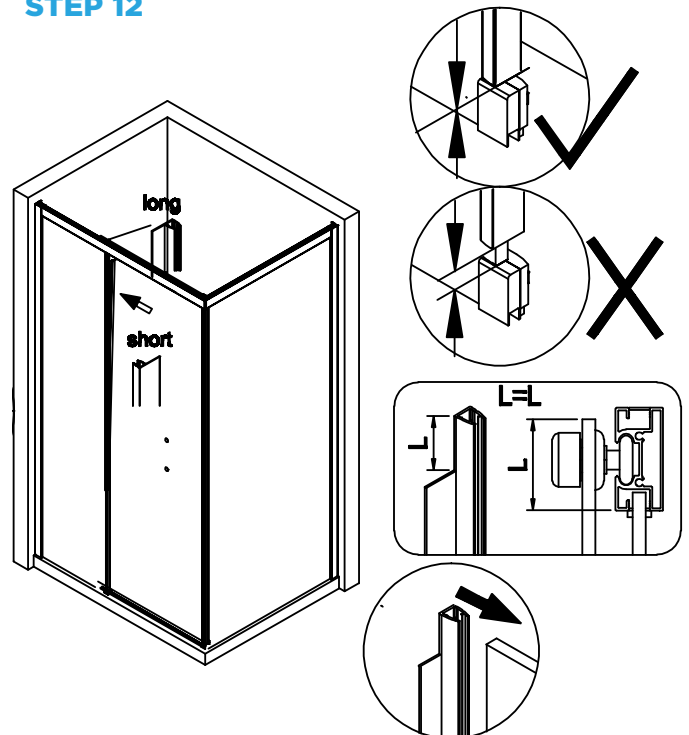


Door installation requires 2 people. Ensure the weight of the glass is not on the roller assembly when tightening.

STEP 11



STEP 12

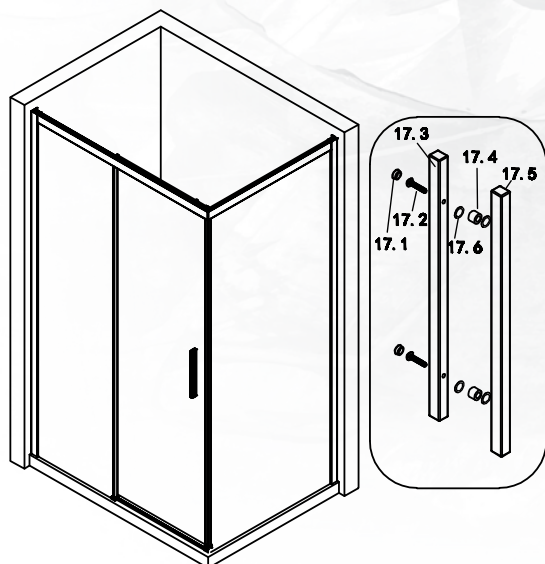


URBAN SLIDER SHOWER SCREEN

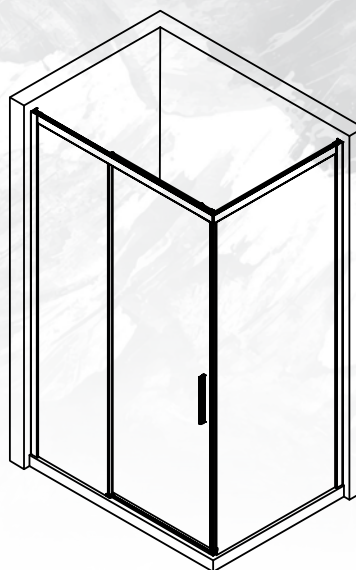
PLEASE READ CAREFULLY AS NOT ALL INSTRUCTIONS ARE THE SAME



STEP 17

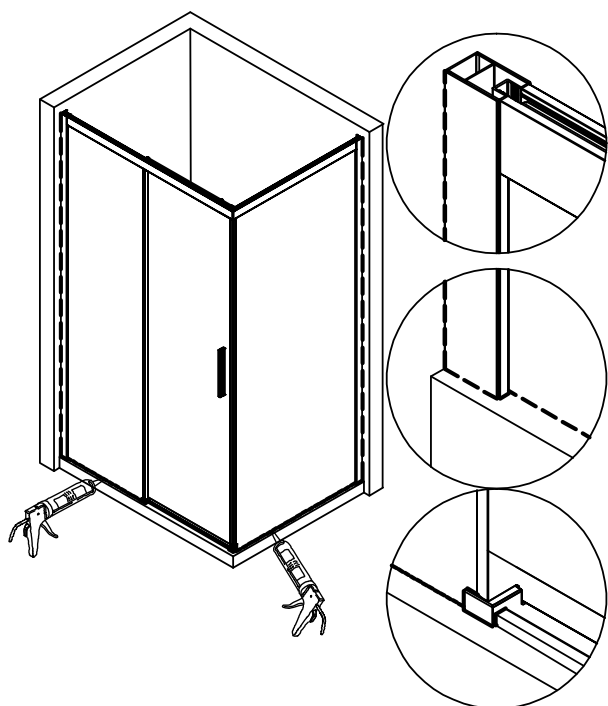


STEP 18

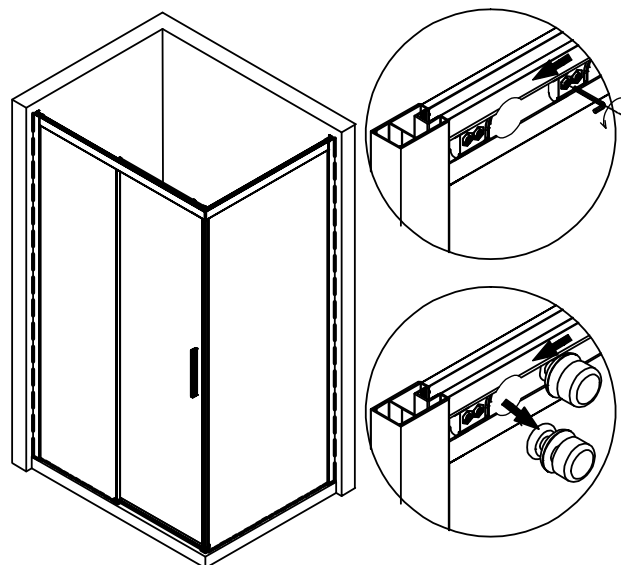


Door stops

STEP 19



STEP 20

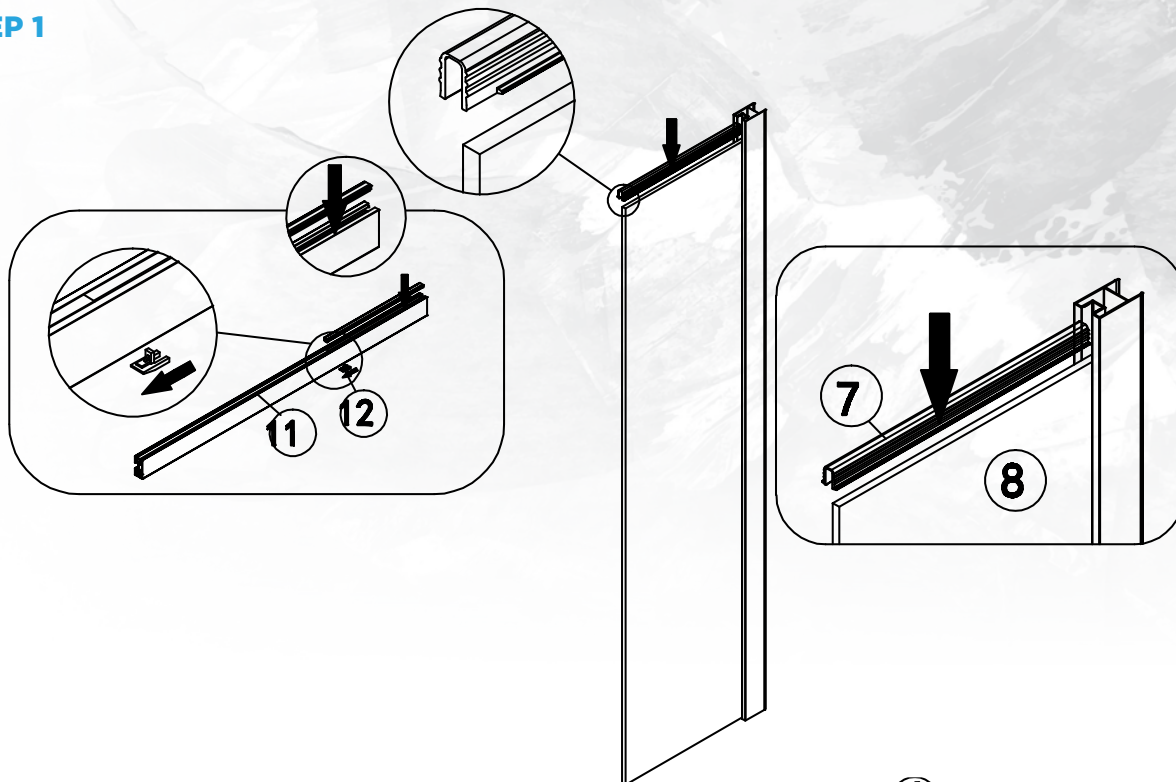


URBAN SLIDER SHOWER SCREEN

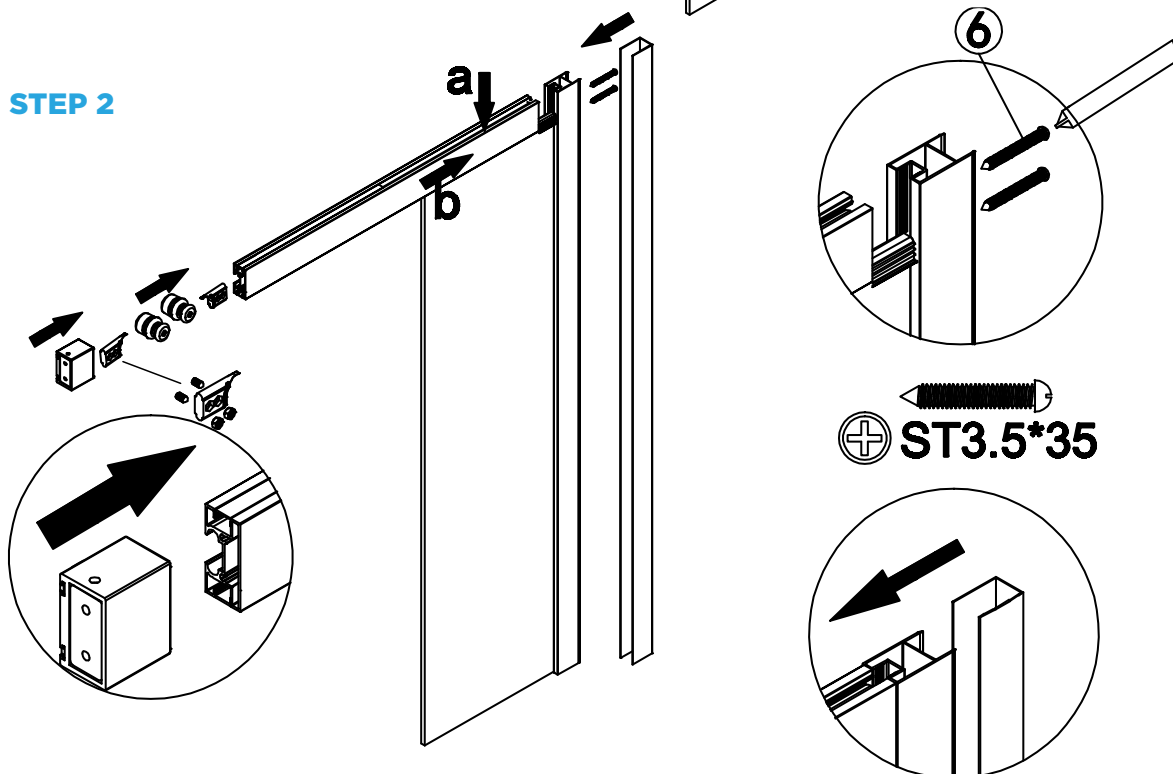
PLEASE READ CAREFULLY AS NOT
ALL INSTRUCTIONS ARE THE SAME



FRONT INSTALLATION ONLY STEP 1



STEP 2

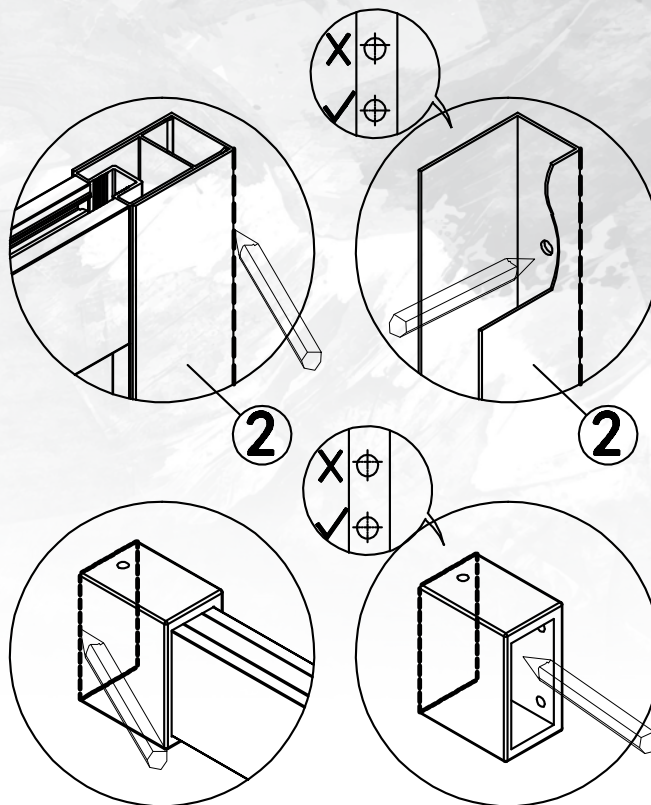
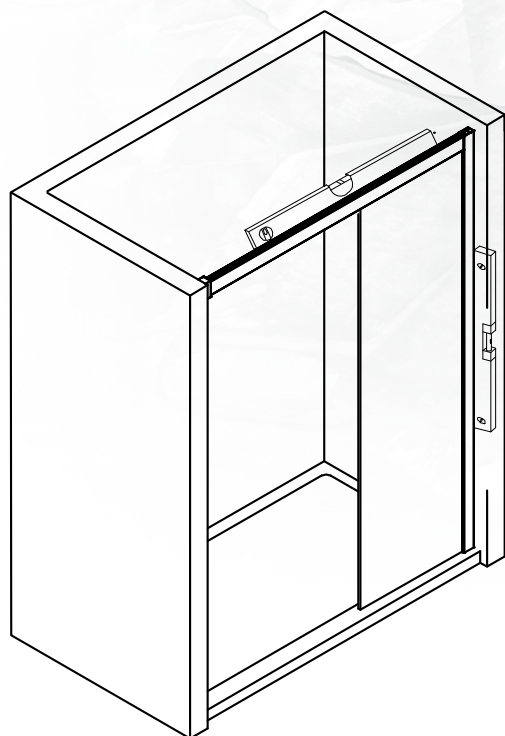


URBAN SLIDER SHOWER SCREEN

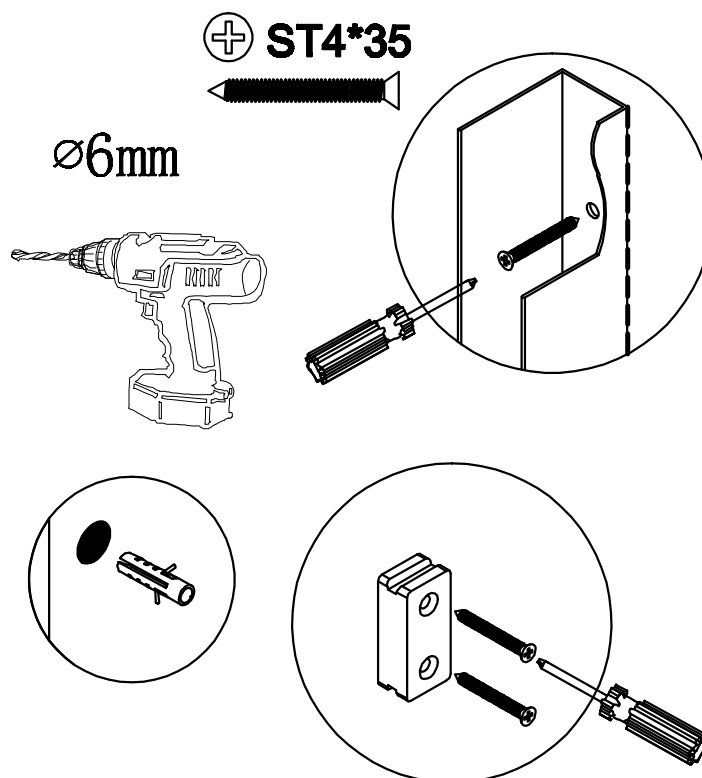
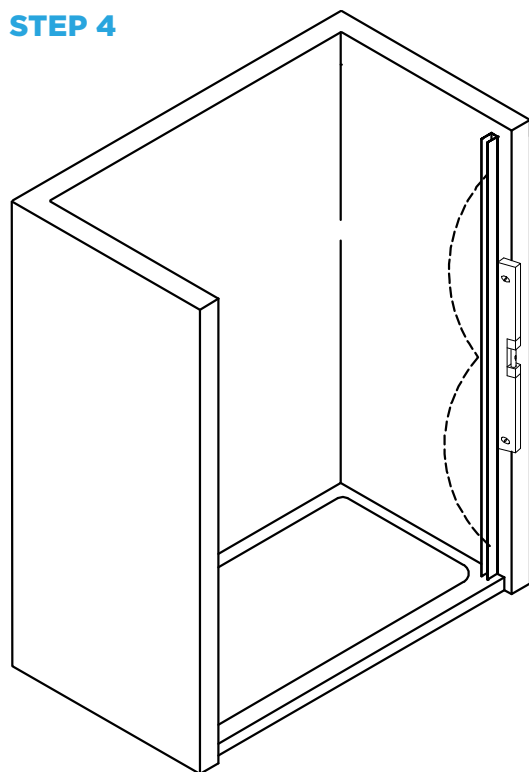
PLEASE READ CAREFULLY AS NOT ALL INSTRUCTIONS ARE THE SAME



FRONT INSTALLATION ONLY STEP 3



STEP 4

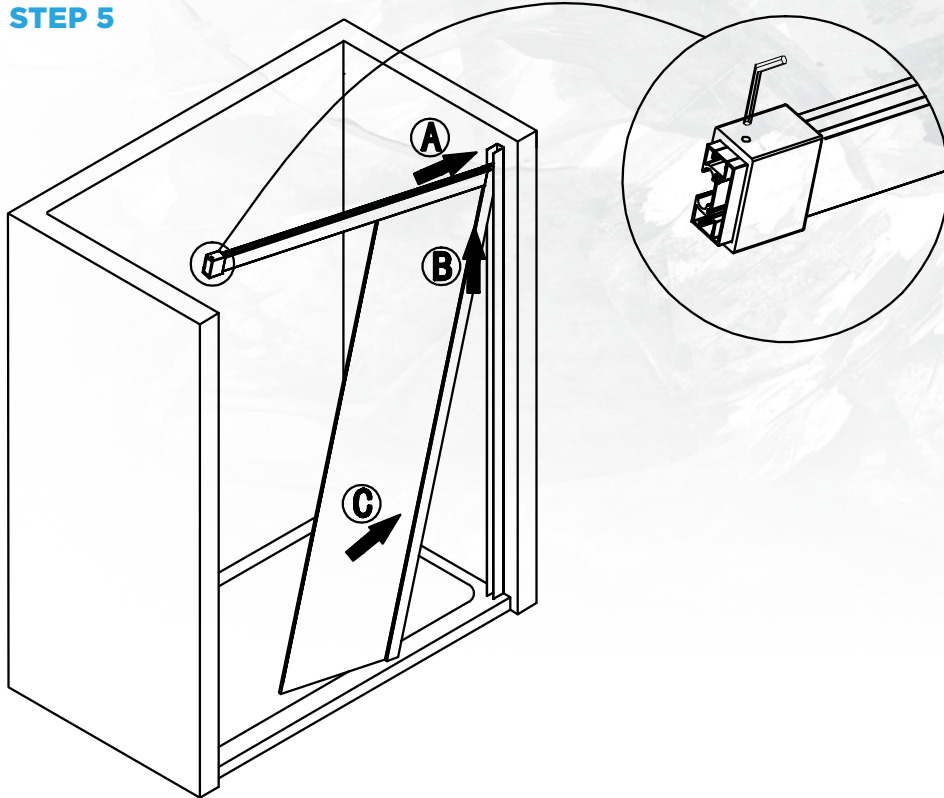


URBAN SLIDER SHOWER SCREEN

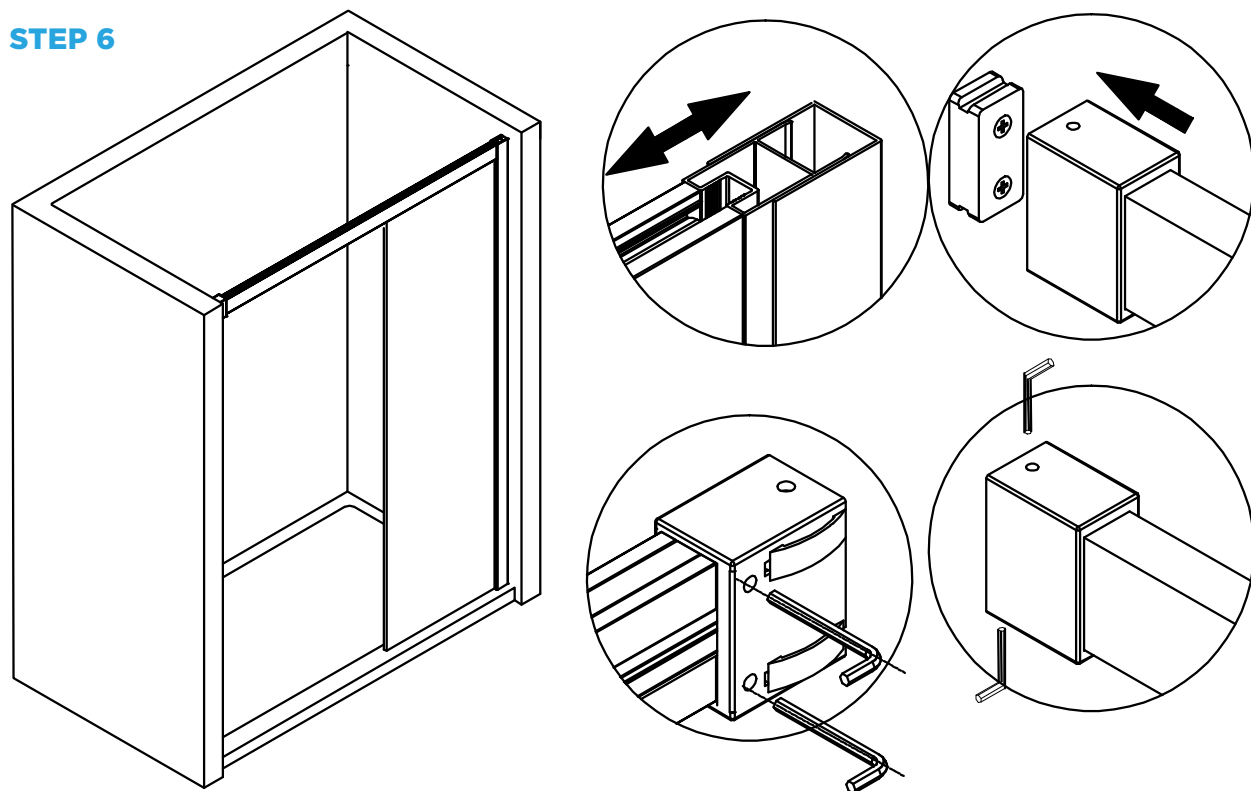
PLEASE READ CAREFULLY AS NOT
ALL INSTRUCTIONS ARE THE SAME



FRONT INSTALLATION ONLY STEP 5



STEP 6

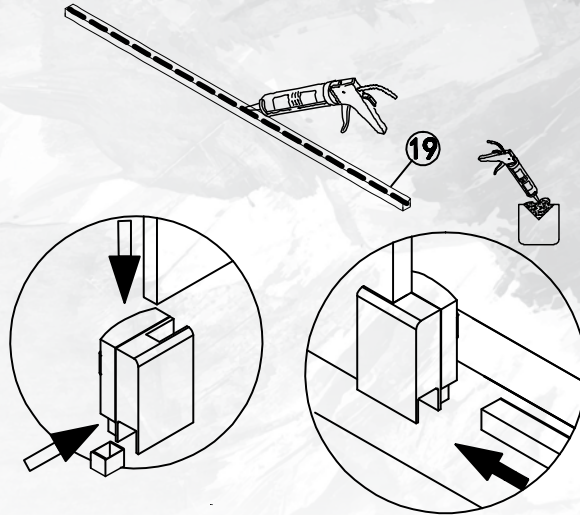
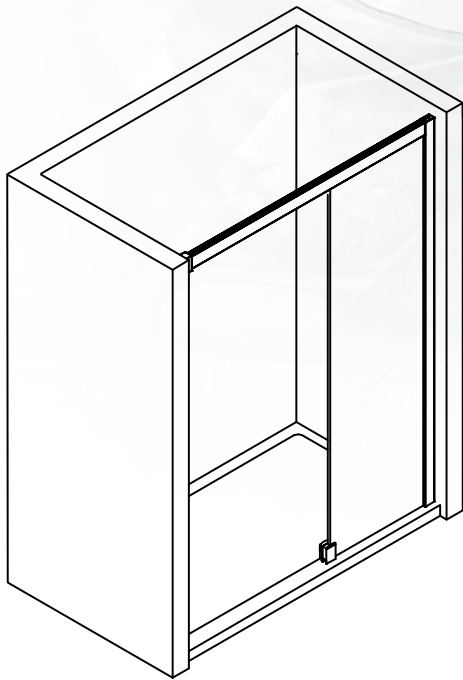


URBAN SLIDER SHOWER SCREEN

PLEASE READ CAREFULLY AS NOT ALL INSTRUCTIONS ARE THE SAME



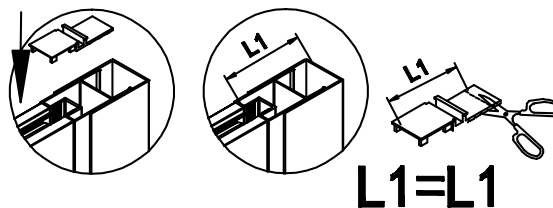
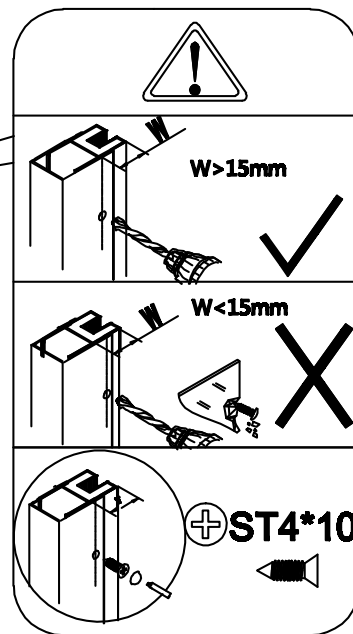
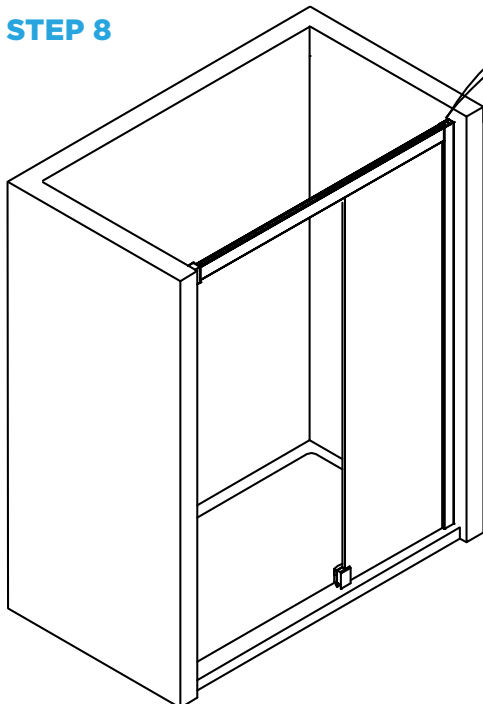
FRONT INSTALLATION ONLY STEP 7



If screen is being installed on a shower base with a front lip, bottom drip rail is optional.

If screen is going on a tiled floor or a shower base with no front lip bottom drip rail must be installed 19.

STEP 8

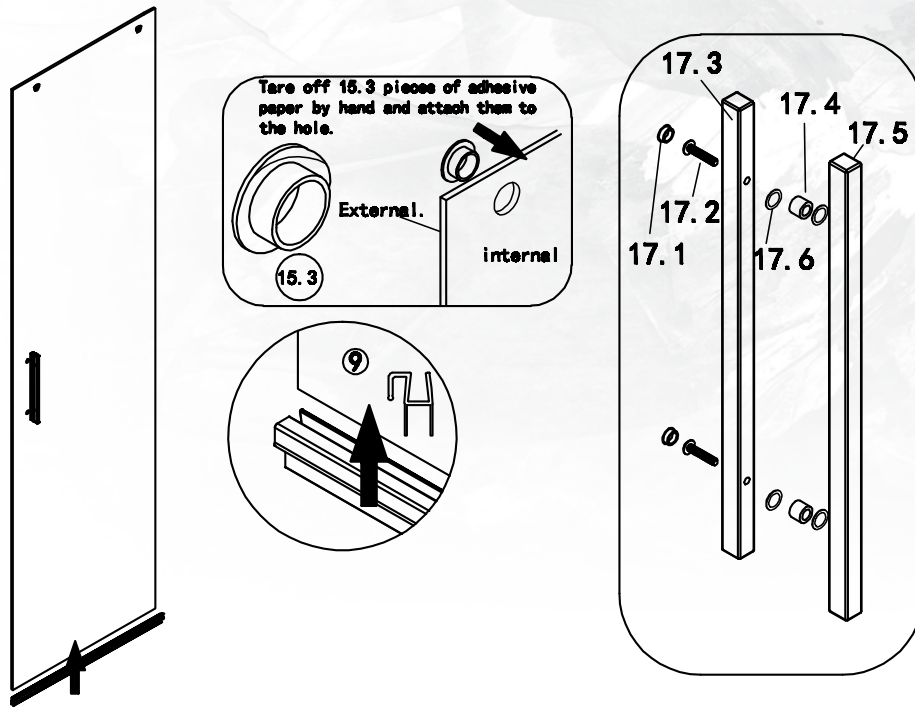


URBAN SLIDER SHOWER SCREEN

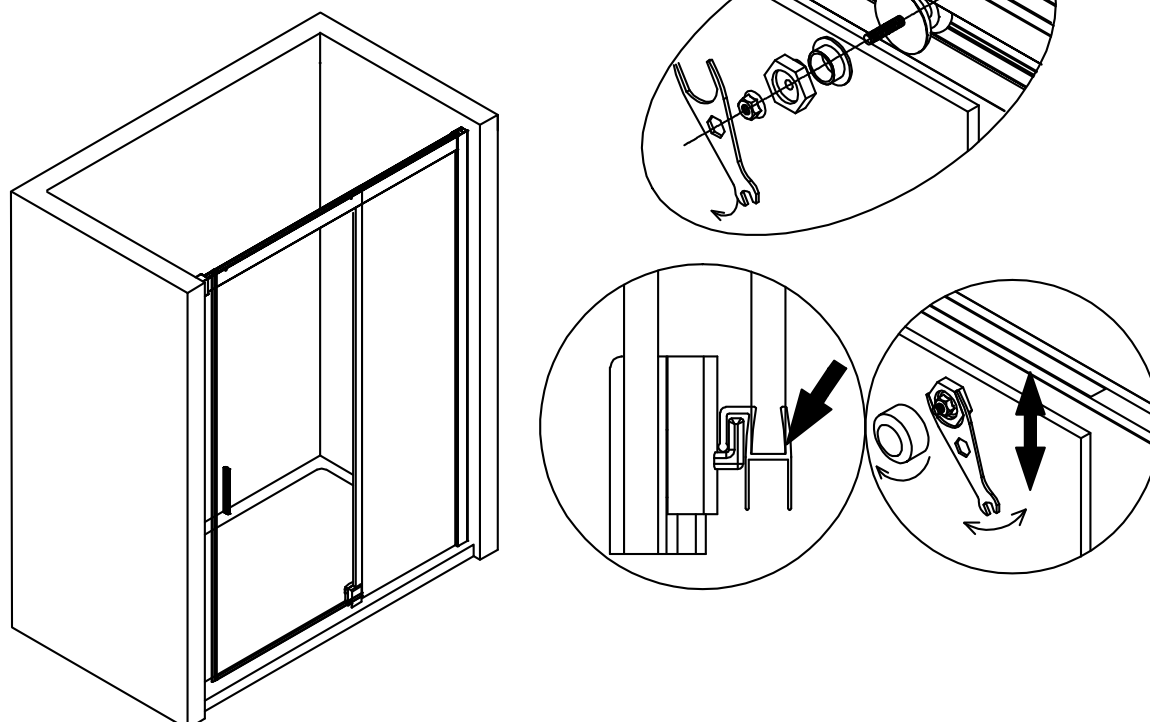
PLEASE READ CAREFULLY AS NOT ALL INSTRUCTIONS ARE THE SAME



FRONT INSTALLATION ONLY STEP 9



STEP 10

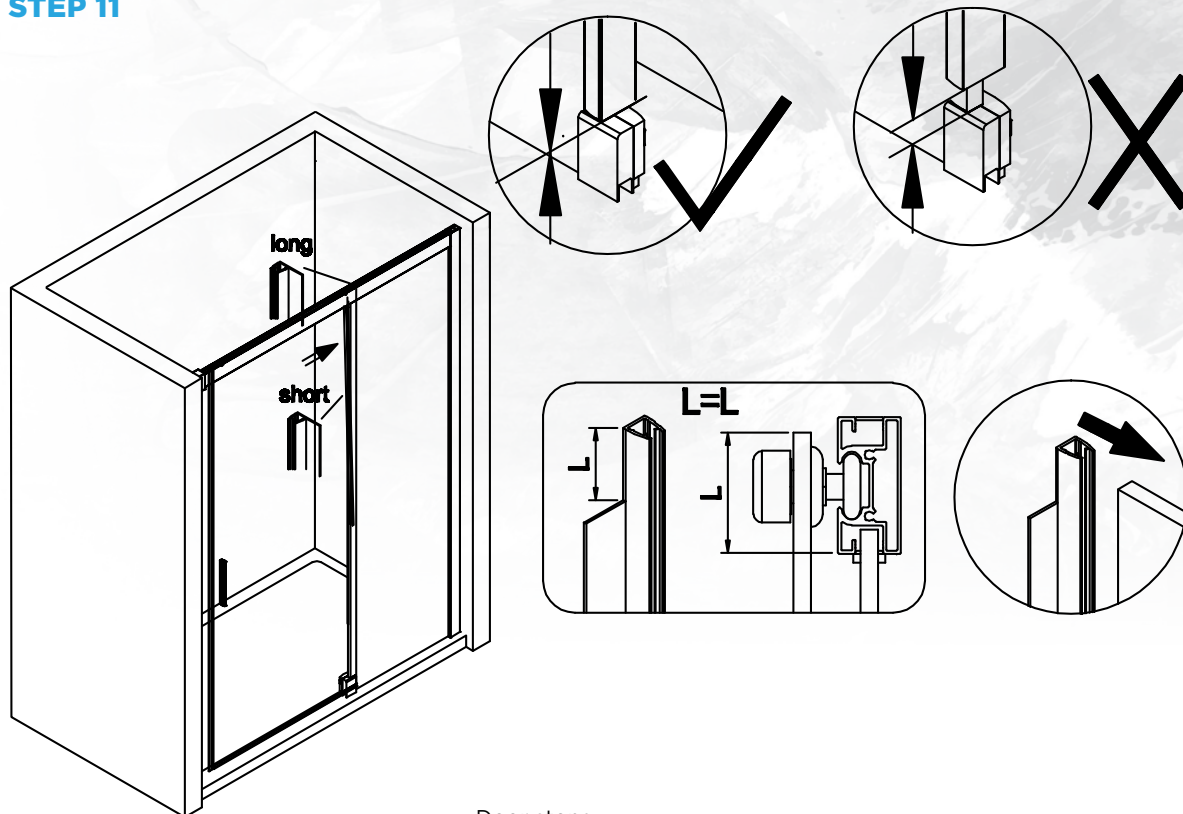


URBAN SLIDER SHOWER SCREEN

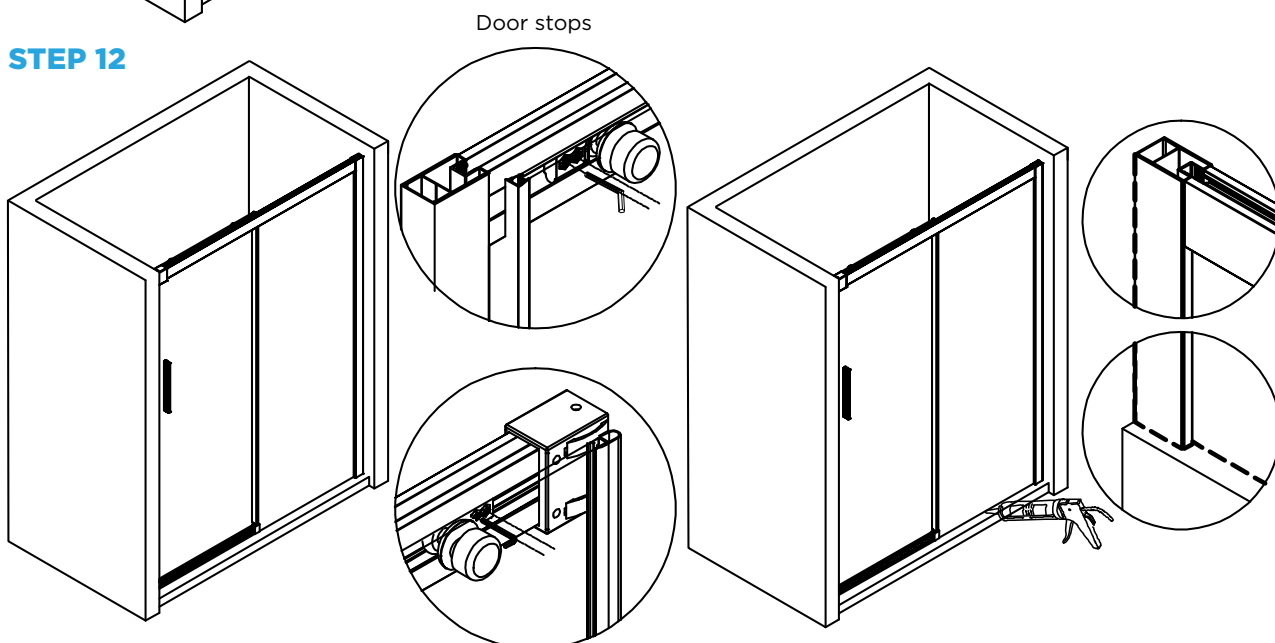
PLEASE READ CAREFULLY AS NOT ALL INSTRUCTIONS ARE THE SAME



FRONT INSTALLATION ONLY STEP 11



STEP 12



Apply silicone sealer around all external joints of shower screen and allow 24 hours for silicone to set.

Silicone is not used on the inside of the shower screen because in time water can build up within the wall jamb and make the screen leak out of the shower area. The screens are designed to allow water to return into the shower area if any present.

Screen are not sealed on the inside, will void warranty.