

# URBAN SLIDER SHOWER SCREEN

## SPECIFICATIONS

### URBAN SLIDER SHOWER SCREEN

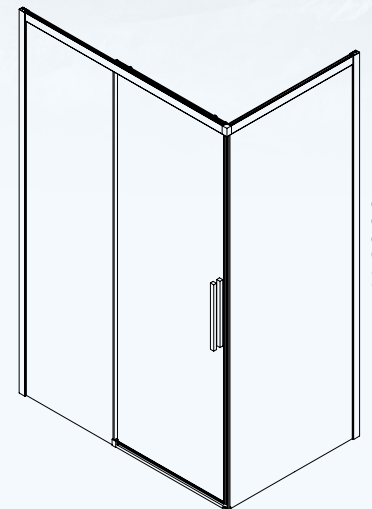
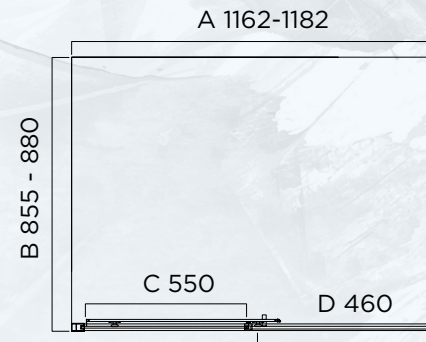
- 2 metre high shower screens
- Adjustable for out-of-square walls
- Reversible left or right hand application
- Matte Black or Chrome finish
- Mirror door option in Chrome finish only
- Suitable for Stonelite™ shower base and tile floor installation
- Adjustable size range
- Front only option available
- Australian Standards AS/NZ2208, AS1288

Style	Matt Black	Chrome	Size	Range (mm)
Return Panel	UR90RSMB	UR90RSC	900 x 2000	855 - 880
Front	UR12FSMB	UR12FSC	1200 x 2000	1162 - 1182
Chrome Front Mirror Door		MTSPS115C	1200 x 2000	1125 - 1150
Wall Bracket	USWDMB	USWD	1200x2000	1155 - 1170

Required for front only (alcove)

\*Note: For front only (alcove) UR12FSC/MTSPS115C + USWD = 1155 - 1170  
Mirror sliding door and clear glass fixed panel

Size	Front	Return	Fixed	Opening	Height
	A	B	C	D	H
1200x900	1155 - 1180	855 - 880	550	460	2000



[oceano.com.au](http://oceano.com.au)

All nominated sizes are approximate and correct at time of publication. Oceano reserves the right to make modifications without prior notice. \*Conditions Apply. Updated March 2024

**oceano**  
BATHROOM