

# LOUVE CURVED SHOWER SCREEN

**PLEASE READ CAREFULLY AS NOT ALL INSTRUCTIONS ARE THE SAME**



## ITEM CODE: FRONT - LS900CDC, LS1000CDC

- Magnetic door seals
- Adjustable for out-of-square walls
- Sliding doors
- Semi-frameless design
- 6mm Glass
- Chrome finish
- Suitable for both Stonelite™ showerbase or tiled floor installation
- 2 metre high shower screens
- Australian Standards AS/NZ2208, AS1288

Code	Style	Size	Range (mm)
LS900CDC	Front	900 x 900 x 2000	855 - 875
LS1000CDC	Front	1000 x 1000 x 2000	955 - 970

## AVAILABLE IN 2 SIZES:

- 900 x 900
- 1000 x 1000



# LOUVE CURVED SHOWER SCREEN

**PLEASE READ CAREFULLY AS NOT ALL INSTRUCTIONS ARE THE SAME**



## GENERAL INFORMATION

Please inspect the product immediately upon receipt for transit damage, missing packs/parts or manufacturing fault. Damage reported later cannot be accepted. Please handle the product with care avoiding knocks and shock loading to all sides and edges of the glass.

**Notes: Safety glass can not be re-worked.**

Please read these instructions carefully before start of installation. Special care should be taken when drilling walls to avoid hidden pipes or electrical cables. Note: This product is heavy and may require two people to install.

### Aftercare instructions

After use, your shower should be cleaned with soap and water. This is particularly important in hard water districts where insoluble lime salts may be deposited and allowed to build up. Cleaners of a gritty or abrasive nature should not be used. Care should be taken to avoid contact with strong chemicals such as organic solvents and strippers.

Glass cleaners can be used but with caution, if in doubt contact the manufacturer of the cleaner in question.

Please keep these instructions for aftercare and customer service details.

## TOOLS REQUIRED



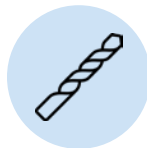
SILICONE



SPIRIT LEVEL



DRILL



6MM DRILL BIT



FLAT SCREWDRIVER



TAPE MEASURE



PENCIL



HAMMER



3.2MM DRILL BIT



PHILLIPS HEAD SCREW DRIVER



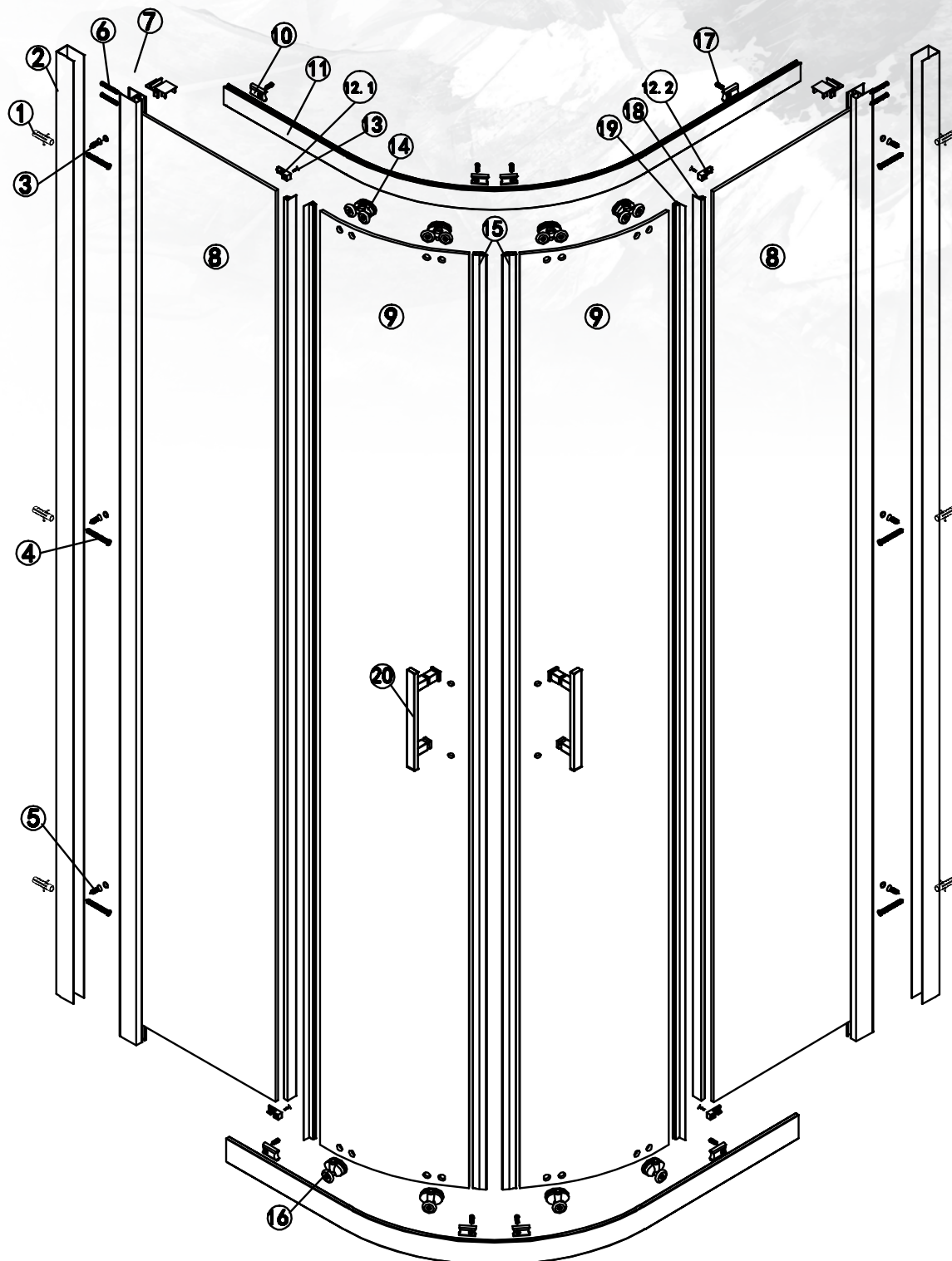
**THIS PRODUCT IS HEAVY AND MAY REQUIRE TWO PEOPLE TO INSTALL.**

# LOUVE CURVED SHOWER SCREEN

PLEASE READ CAREFULLY AS NOT ALL INSTRUCTIONS ARE THE SAME



## ASSEMBLY DRAWING







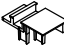
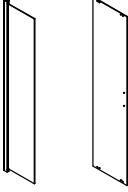



# LOUVE CURVED SHOWER SCREEN

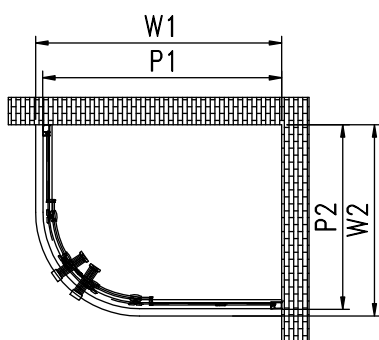
PLEASE READ CAREFULLY AS NOT ALL INSTRUCTIONS ARE THE SAME



## REQUIRED PARTS

No.	Part	Pieces
1	 $\phi 6$	x 6
2		x 2
3		x 10
4	 $\oplus$ <b>ST4*35</b>	x 6
5	 $\oplus$ <b>ST4*10</b>	x 10
6	 $\oplus$ <b>ST4*35</b>	x 8
7		x2
8 & 9		x2 x2
10		x 8

No.	Designation	Pieces
11.1		x 2
11.2		x 2
12.1		x 2
12.2		x 2
13	 $\oplus$ <b>ST4*10</b>	x 4
14		x 4
15		x 2
16		x 2
17	 $\oplus$ <b>ST4*12</b>	x 8
18.1	 short	x 2
18.2	 long	x 2
19		x 2
20		x 4



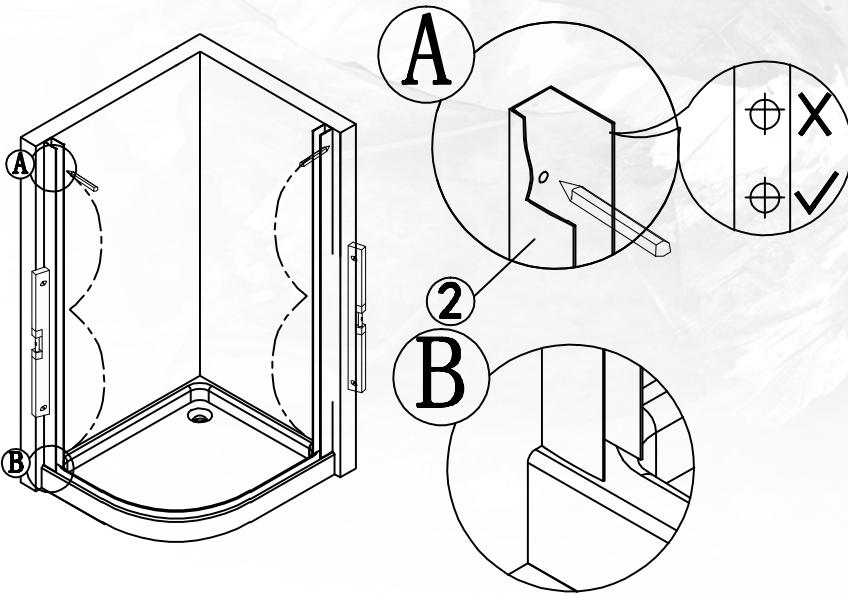
No.	P	W
900 x 900	850 - 875	900
1000 x 1000	950 - 975	1000

# LOUVE CURVED SHOWER SCREEN

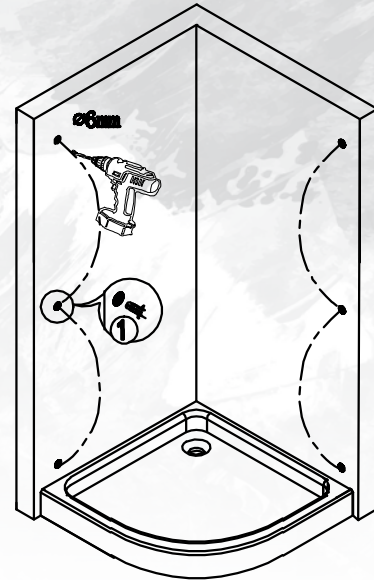
PLEASE READ CAREFULLY AS NOT ALL INSTRUCTIONS ARE THE SAME



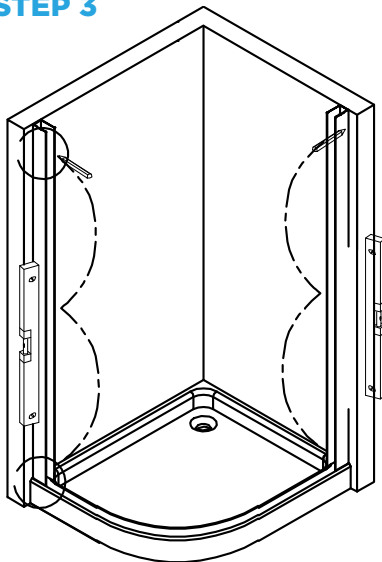
## STEP 1



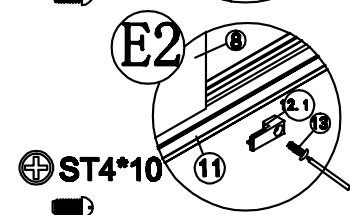
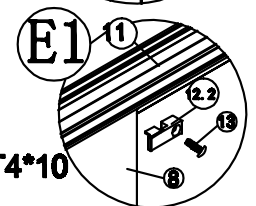
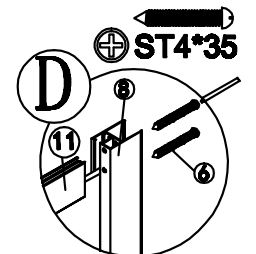
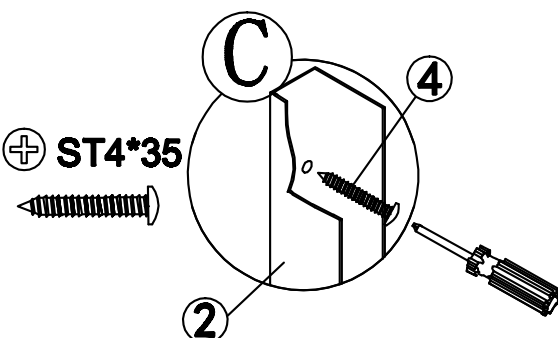
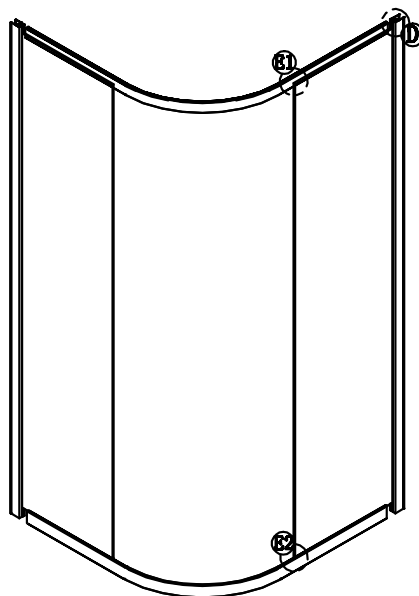
## STEP 2



## STEP 3



## STEP 4

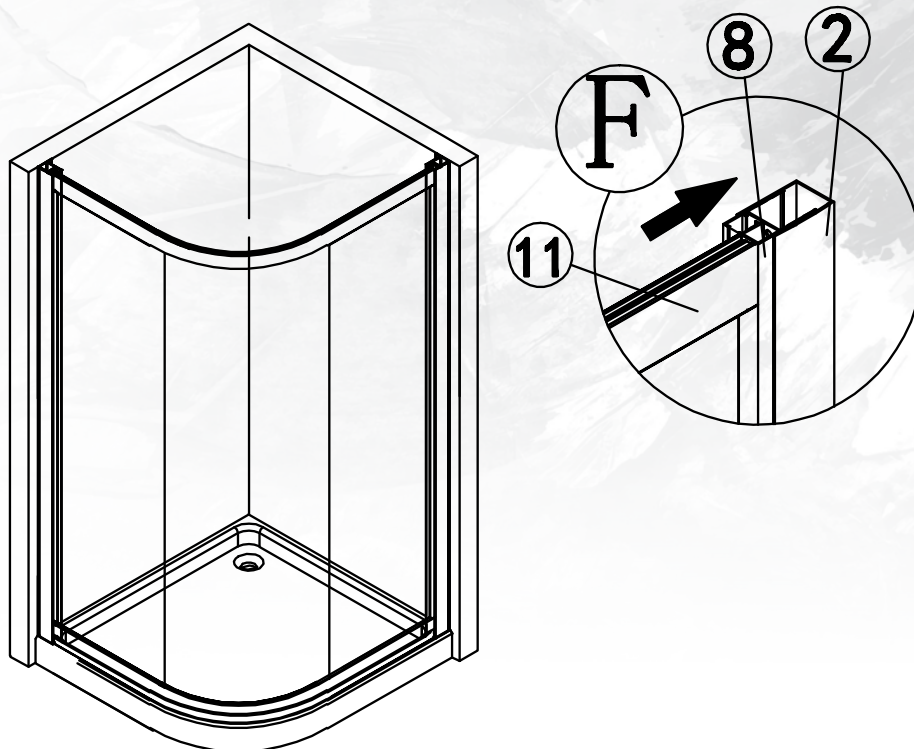


# LOUVE CURVED SHOWER SCREEN

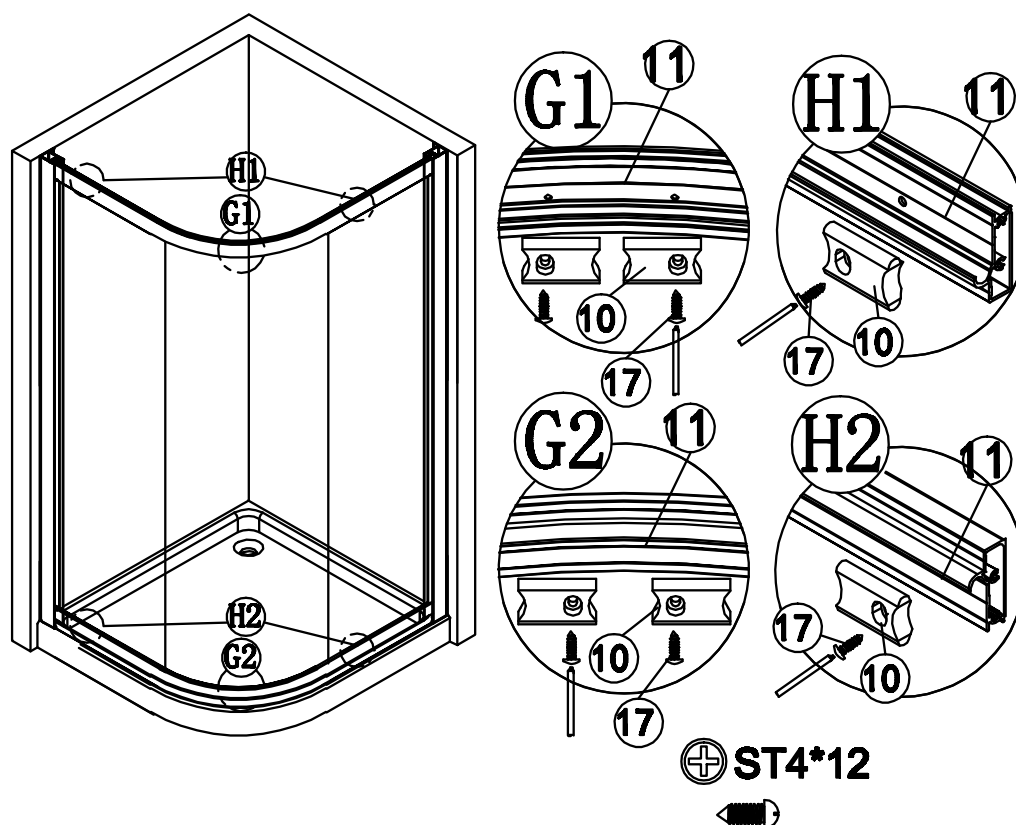
PLEASE READ CAREFULLY AS NOT ALL INSTRUCTIONS ARE THE SAME



## STEP 5



## STEP 6

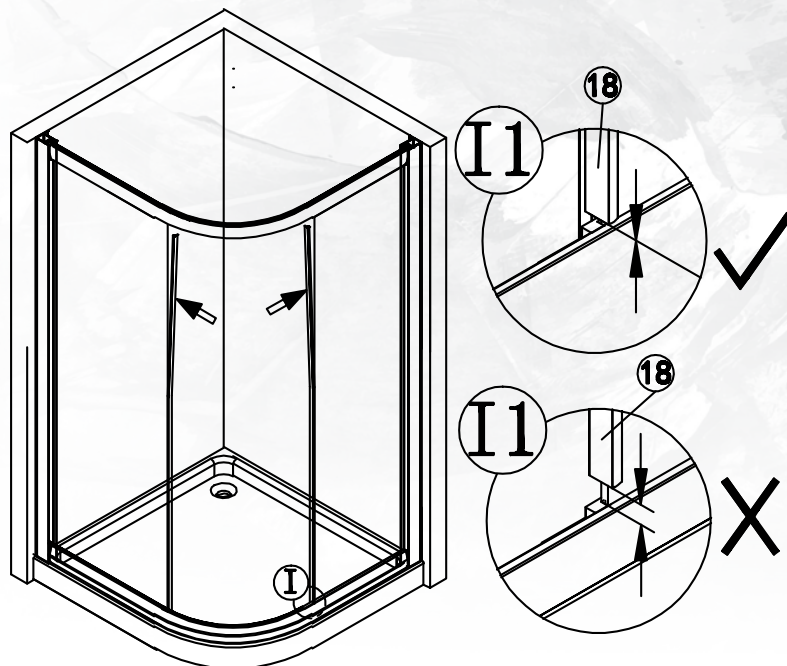


# LOUVE CURVED SHOWER SCREEN

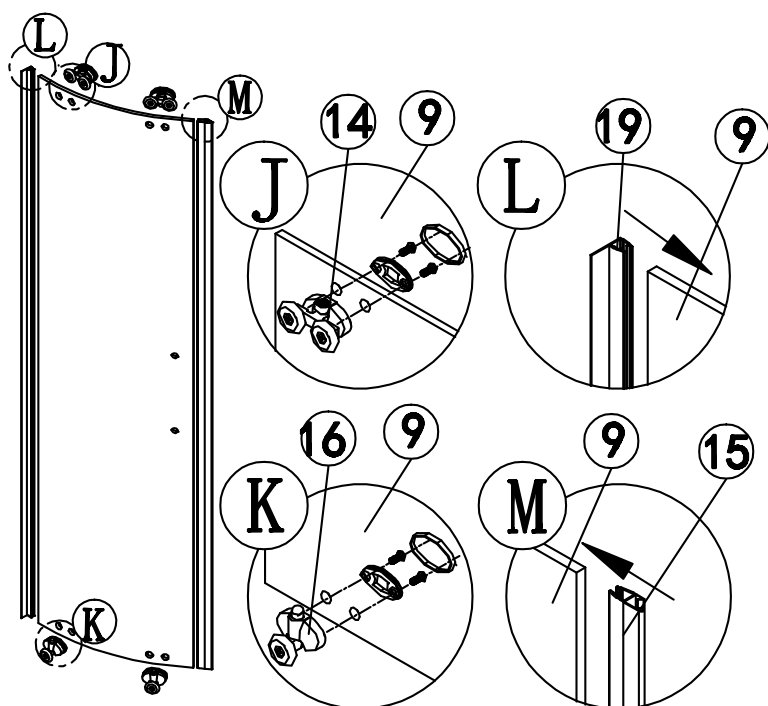
PLEASE READ CAREFULLY AS NOT ALL INSTRUCTIONS ARE THE SAME



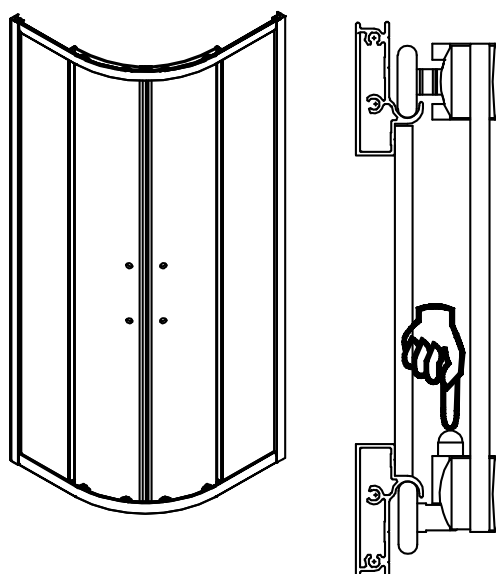
## STEP 7



## STEP 8



## STEP 9

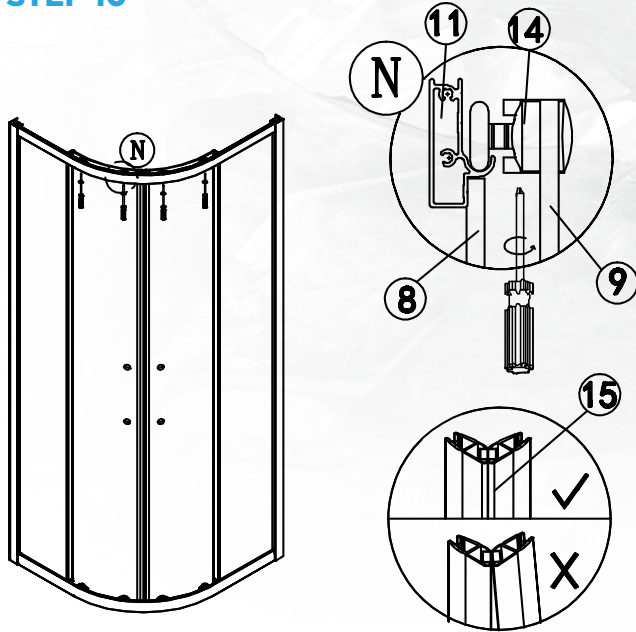


# LOUVE CURVED SHOWER SCREEN

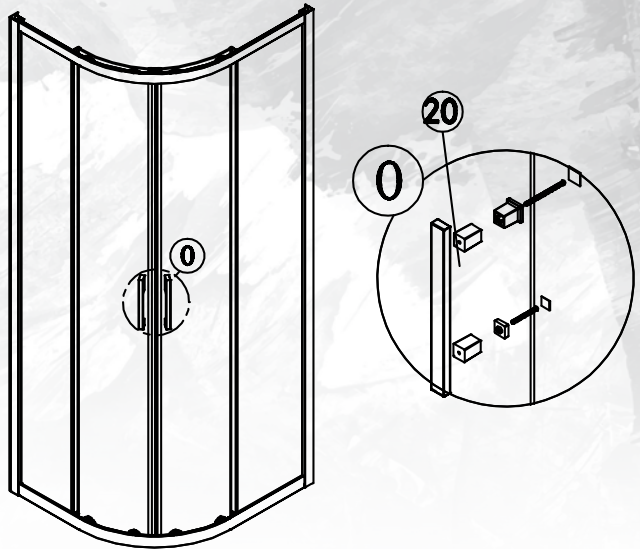
PLEASE READ CAREFULLY AS NOT ALL INSTRUCTIONS ARE THE SAME



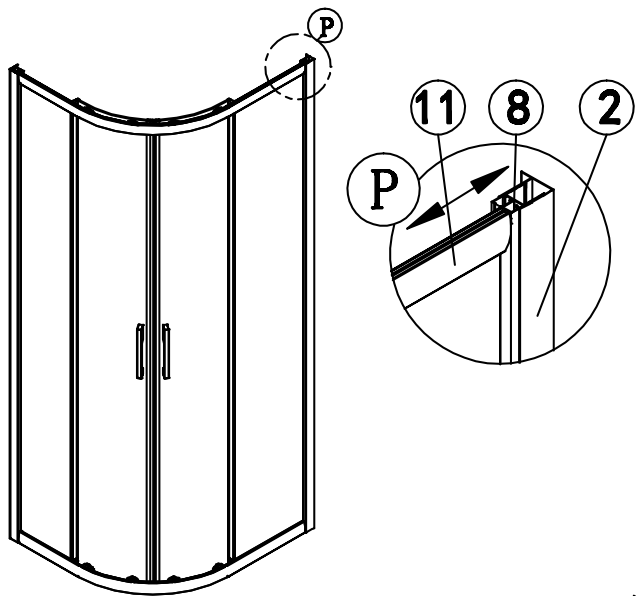
## STEP 10



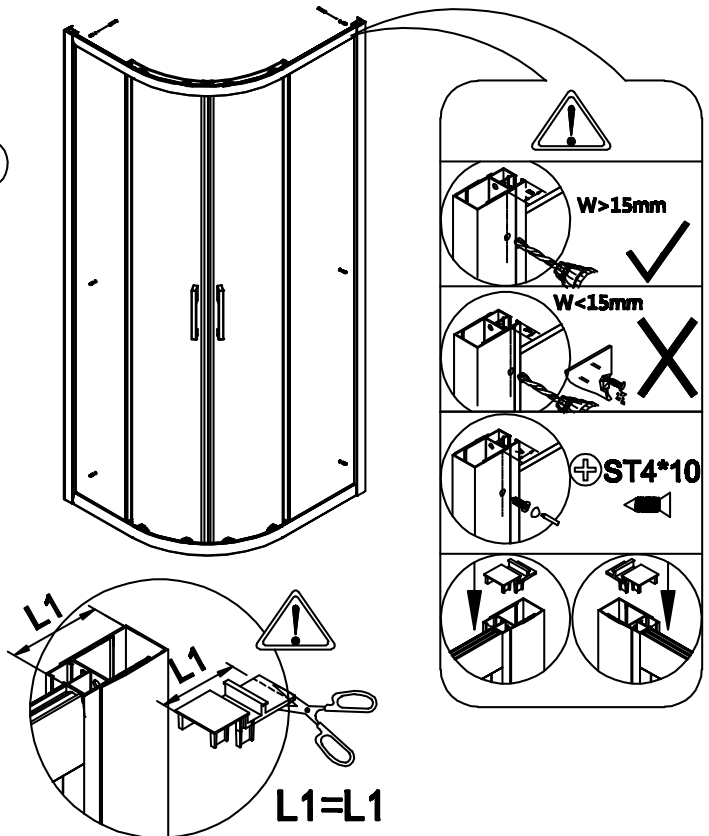
## STEP 11



## STEP 12



## STEP 13



⚠	
	<b>W &gt; 15mm</b> ✓
	<b>W &lt; 15mm</b> ✗
	⊕ <b>ST4*10</b> 🔩

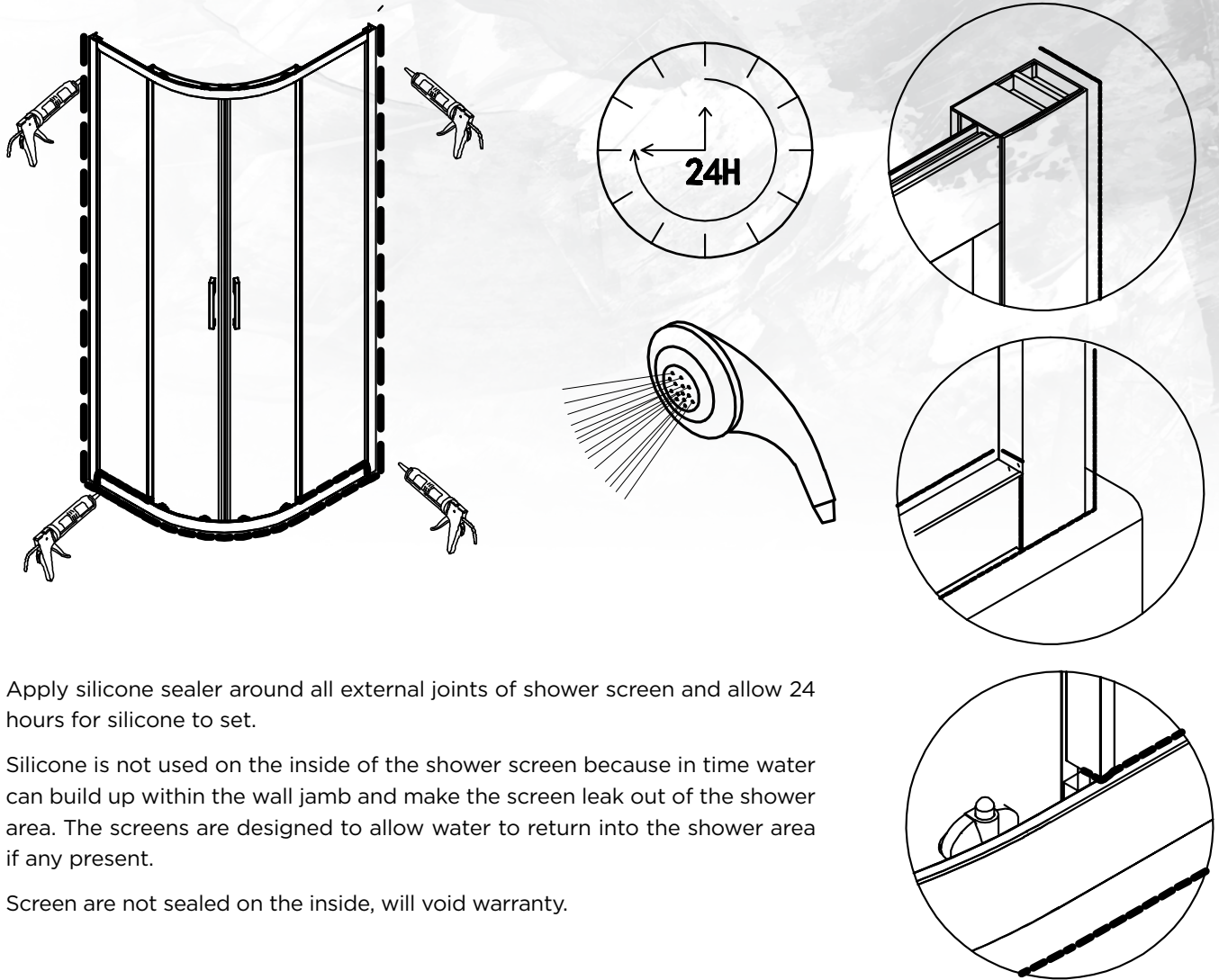


# LOUVE CURVED SHOWER SCREEN

**PLEASE READ CAREFULLY AS NOT ALL INSTRUCTIONS ARE THE SAME**



## STEP 14



Apply silicone sealer around all external joints of shower screen and allow 24 hours for silicone to set.

Silicone is not used on the inside of the shower screen because in time water can build up within the wall jamb and make the screen leak out of the shower area. The screens are designed to allow water to return into the shower area if any present.

Screen are not sealed on the inside, will void warranty.