

# LOUVE SQUARE SLIDER SHOWER SCREEN

**PLEASE READ CAREFULLY AS NOT ALL INSTRUCTIONS ARE THE SAME**



Style	Matt Black	Chrome	Size	Range (mm)
Door	LS90FSMB	LS90FSC	900 x 2000	855 - 875
	LS100FSMB	LS100FSC	1000 x 2000	955 - 970
Panel	LS90RSMB	LS90RSC	900 x 2000	855 - 875
	LS100RSMB	LS100RSC	1000 x 2000	955 - 970

## AVAILABLE IN 2 SIZES:

- 900 x 900
- 1000 x 1000

**Chrome Finish**



**Matte Black Finish**



# LOUVE SQUARE SLIDER SHOWER SCREEN

**PLEASE READ CAREFULLY AS NOT ALL INSTRUCTIONS ARE THE SAME**



## GENERAL INFORMATION

Please inspect the product immediately upon receipt for transit damage, missing packs/parts or manufacturing fault. Damage reported later cannot be accepted. Please handle the product with care avoiding knocks and shock loading to all sides and edges of the glass.

**Notes: Safety glass can not be re-worked.**

Please read these instructions carefully before start of installation. Special care should be taken when drilling walls to avoid hidden pipes or electrical cables. Note: This product is heavy and may require two people to install.

### Aftercare instructions

After use, your shower should be cleaned with soap and water. This is particularly important in hard water districts where insoluble lime salts may be deposited and allowed to build up. Cleaners of a gritty or abrasive nature should not be used. Care should be taken to avoid contact with strong chemicals such as organic solvents and strippers.

Glass cleaners can be used but with caution, if in doubt contact the manufacturer of the cleaner in question.

Please keep these instructions for aftercare and customer service details.

## TOOLS REQUIRED



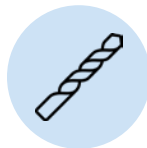
SILICONE



SPIRIT  
LEVEL



DRILL



6MM  
DRILL BIT



FLAT  
SCREWDRIVER



TAPE  
MEASURE



PENCIL



HAMMER



3.2MM  
DRILL BIT



PHILLIPS HEAD  
SCREW DRIVER



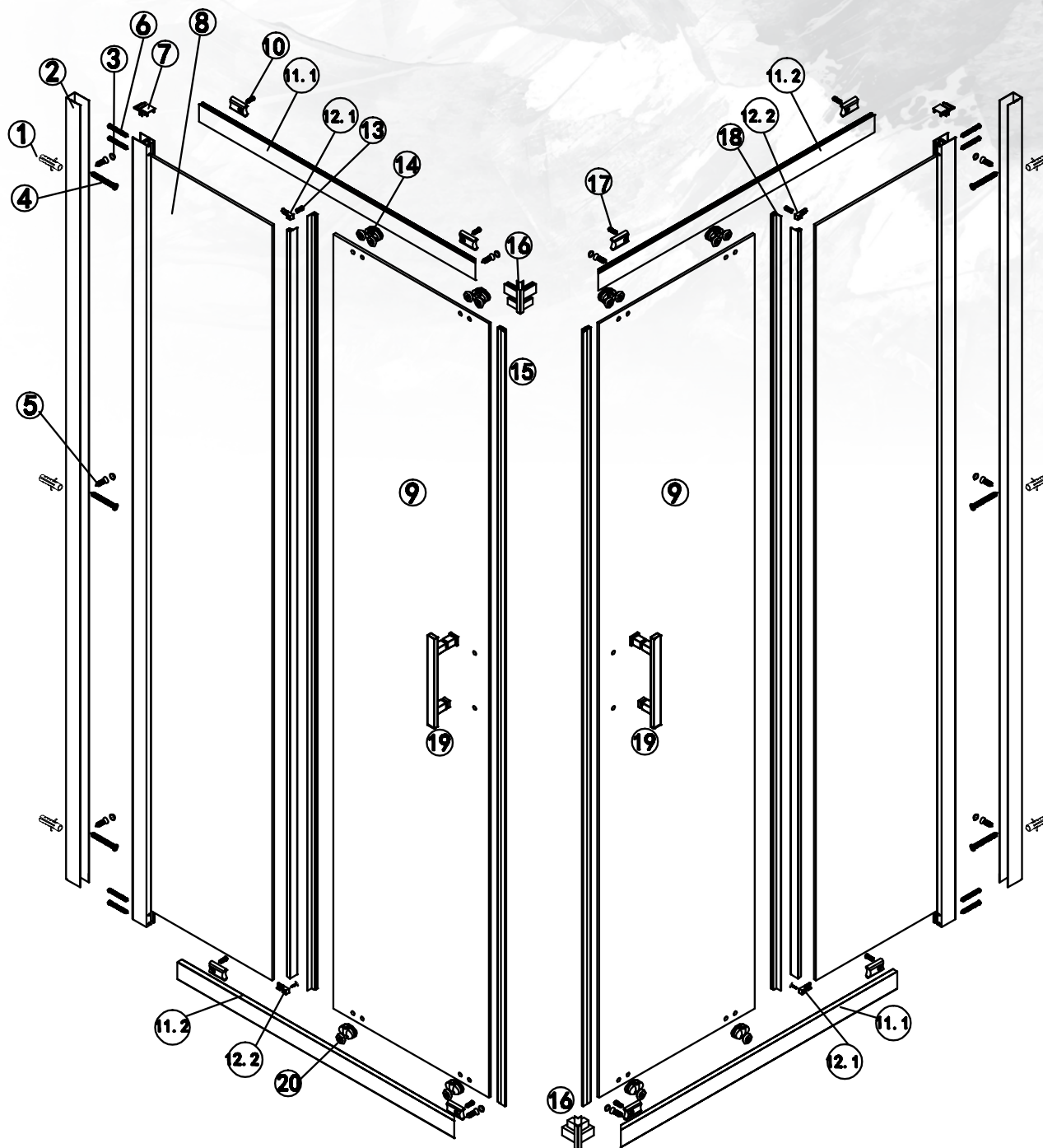
**THIS PRODUCT IS HEAVY AND MAY REQUIRE TWO PEOPLE TO INSTALL.**

# LOUVE SQUARE SLIDER SHOWER SCREEN

PLEASE READ CAREFULLY AS NOT ALL INSTRUCTIONS ARE THE SAME



## ASSEMBLY DRAWING




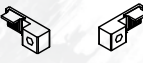








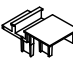

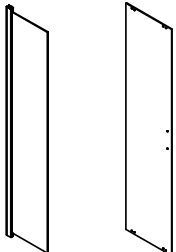






# LOUVE SQUARE SLIDER SHOWER SCREEN

PLEASE READ CAREFULLY AS NOT ALL INSTRUCTIONS ARE THE SAME



## REQUIRED PARTS

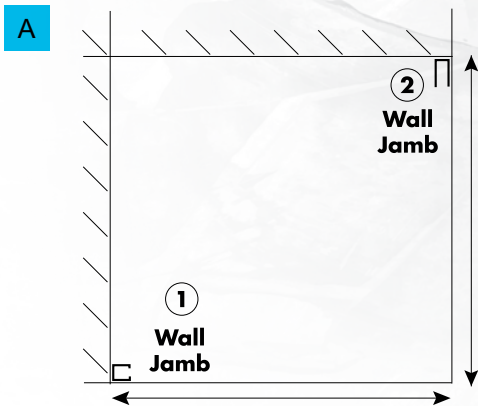
No.	Designation	Pieces	No.	Designation	Pieces
1		x 6	11.1 11.2		x 6
2		x 2	12.1 12.2		x 2
3		x 10	13	 <b>ST4*10</b>	x 10
4	 <b>ST4*35</b>	x 6	14		x 6
5	 <b>ST4*10</b>	x 10	15		x 10
6	 <b>ST4*35</b>	x 8	16		x 8
7		x 2	17	 <b>ST4*12</b>	x 2
8 9		x 2	18.1 18.2		x 2
		x 2	19		x 2
10		x 8	20		x 8

# LOUVE SQUARE SLIDER SHOWER SCREEN

PLEASE READ CAREFULLY AS NOT ALL INSTRUCTIONS ARE THE SAME



## STEP 1



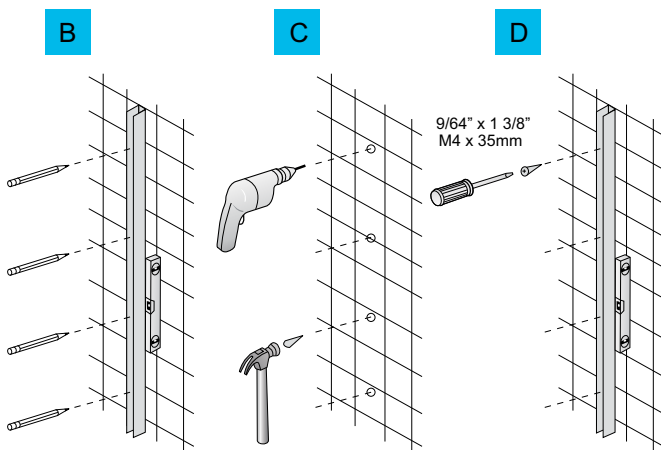
**A** Measure your shower base / shower area. The measurement to the outside edge of the wall jambs (1 & 2) should be somewhere within the minimum and maximum of the screen size. See chart to the left.

Note: If using the maximum size make sure that you allow for walls that may be out of plumb. If your walls are 10mm out of plumb reduce your screen size area by this amount.

Front Assembly			
Min	Max	Model	Set Type
855 mm	875 mm	900 x 900	Front Set
955 mm	970 mm	1000 x 1000	Front Set

Side Assembly			
Min	Max	Model	Set Type
855 mm	875 mm	900 x 900	Side Panel
955 mm	970 mm	1000 x 1000	Side Panel

## STEP 2



**B** Using a level ensure jambs (1&2) are plumb then mark the outside edge with a pencil. Then mark your pre-drilled screw holes that are on the inside of the jamb.

**C** Remove jambs and drill 6mm holes with drill bit. Insert plastic wall plugs (9) that are provided.

**Note:** Please use the correct or most suitable fixing for the surface you are screwing into, to ensure the jamb is securely fixed to the wall eg. toggle wall plug.

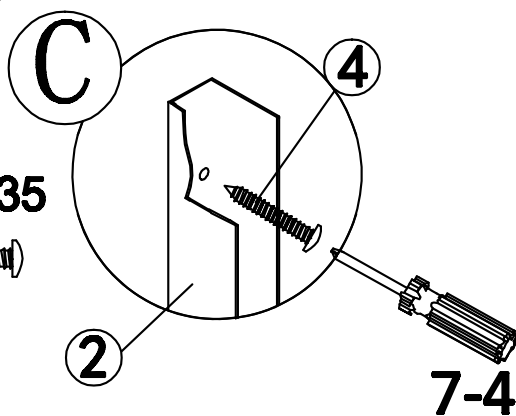
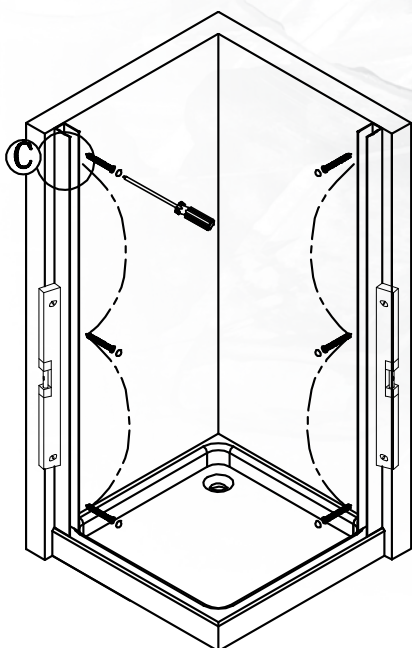
**D** Using a level, ensure jambs (1 & 2) are plumb and the holes in the jamb line up with the holes in the wall. Fix jamb to wall using the screws provided (8).

# LOUVE SQUARE SLIDER SHOWER SCREEN

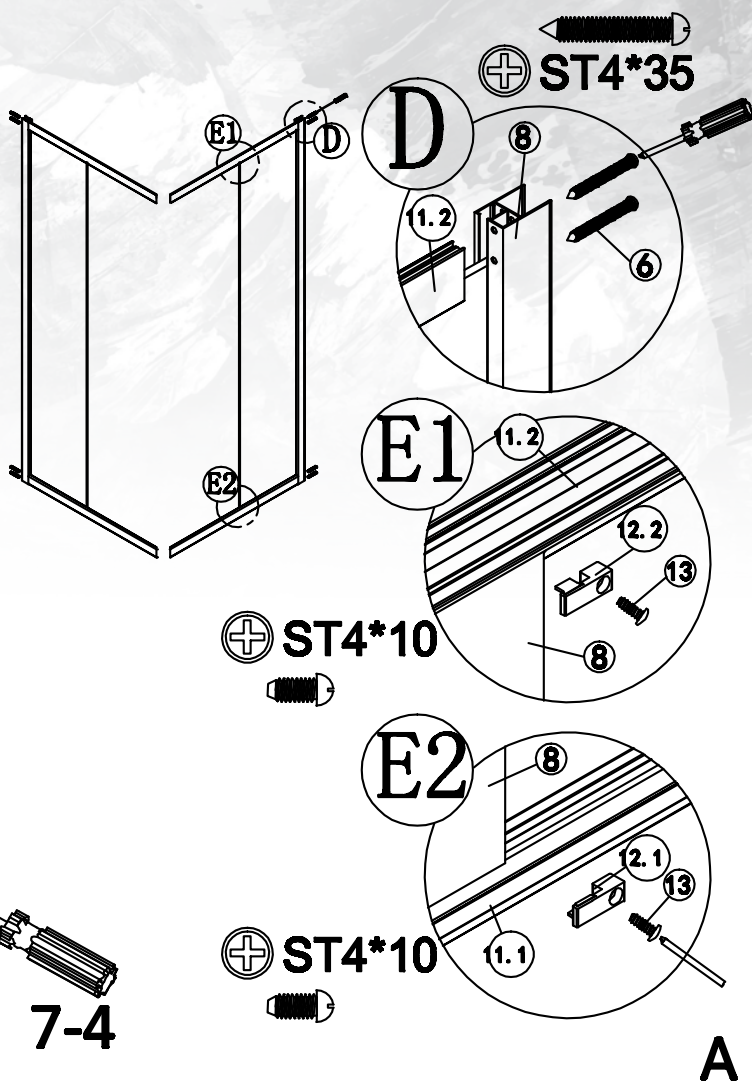
PLEASE READ CAREFULLY AS NOT ALL INSTRUCTIONS ARE THE SAME



## STEP 3



## STEP 4

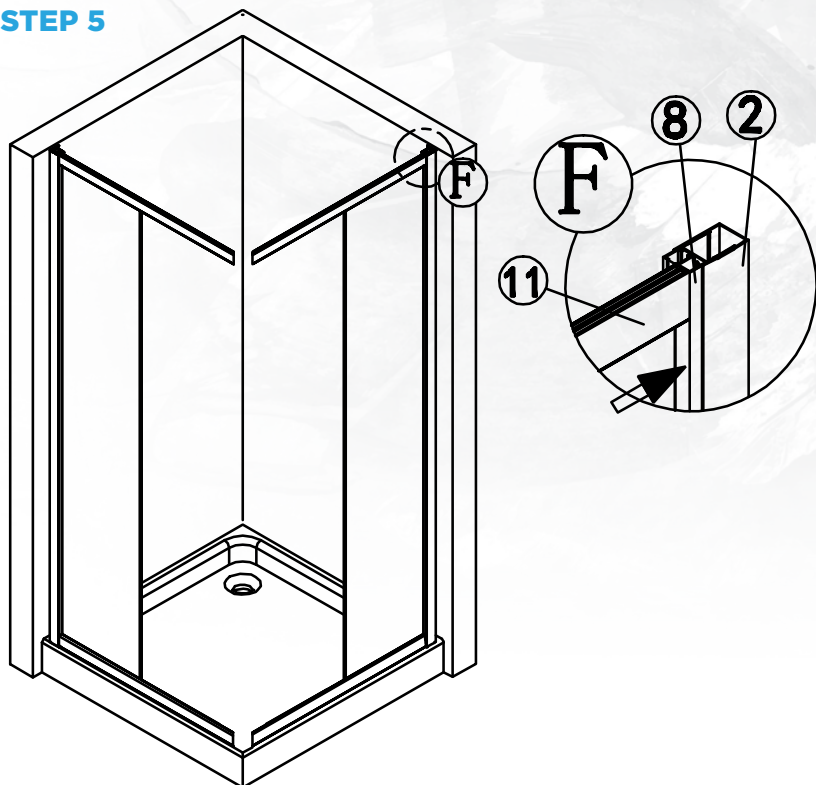


# LOUVE SQUARE SLIDER SHOWER SCREEN

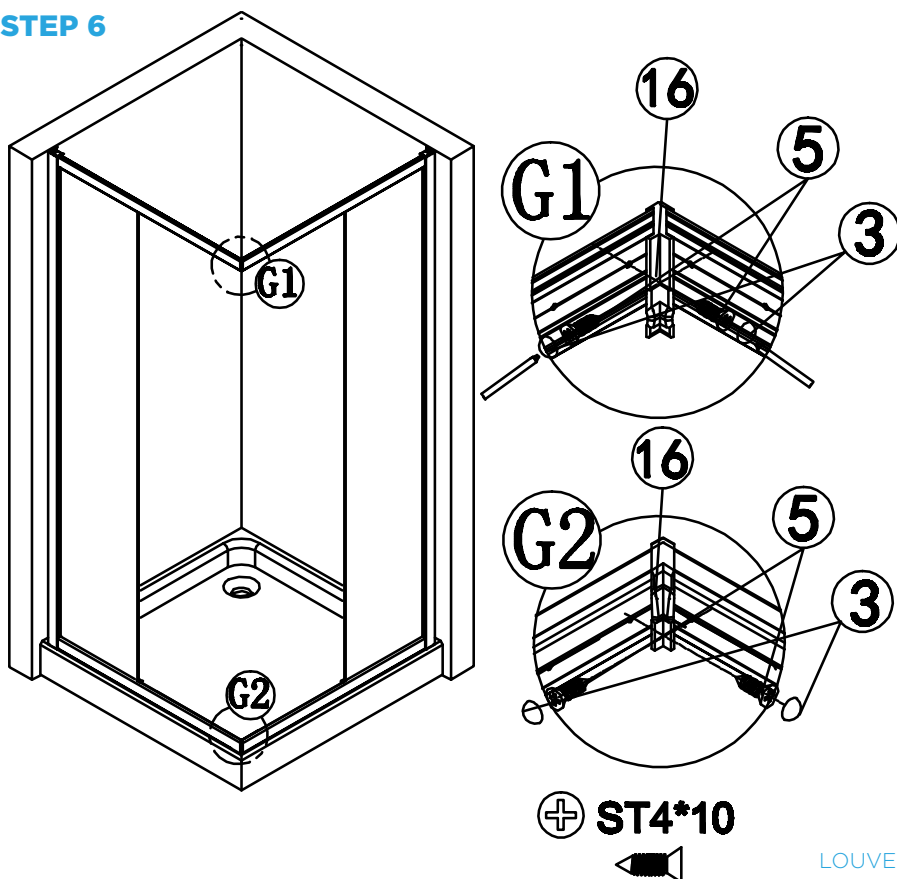
PLEASE READ CAREFULLY AS NOT ALL INSTRUCTIONS ARE THE SAME



## STEP 5



## STEP 6

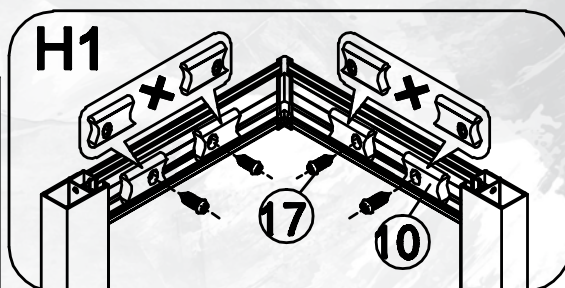
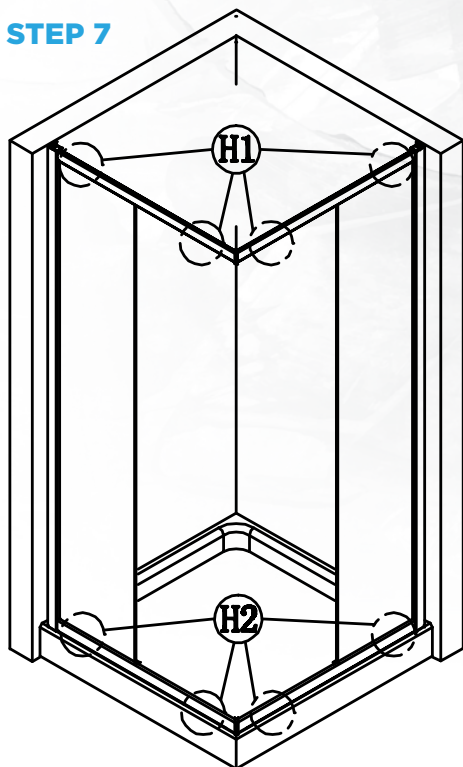


# LOUVE SQUARE SLIDER SHOWER SCREEN

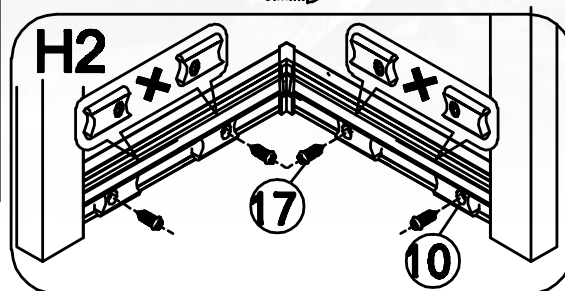
PLEASE READ CAREFULLY AS NOT ALL INSTRUCTIONS ARE THE SAME



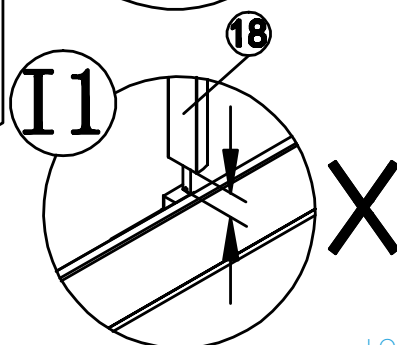
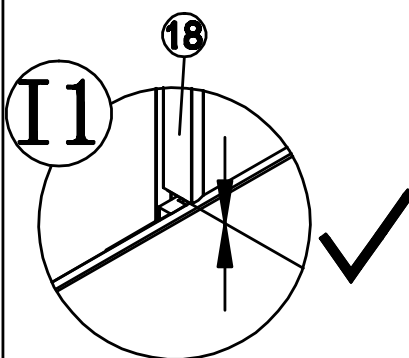
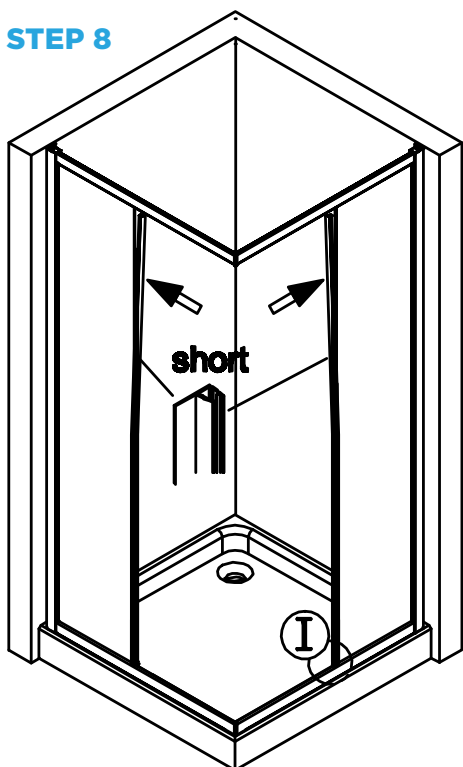
## STEP 7



⊕ ST4\*10  
➤



## STEP 8



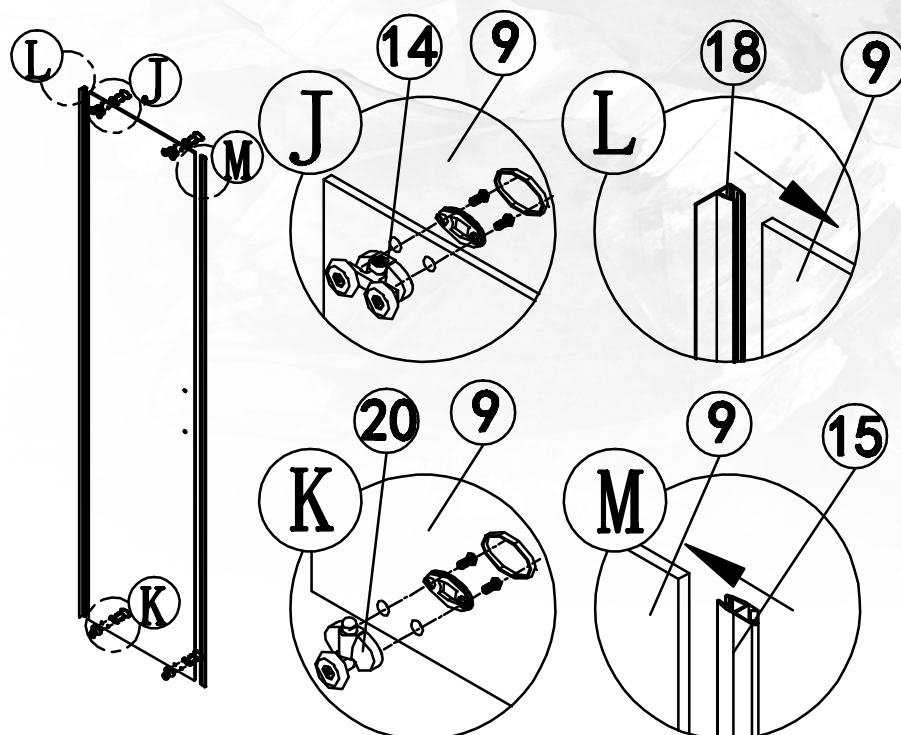


# LOUVE SQUARE SLIDER SHOWER SCREEN

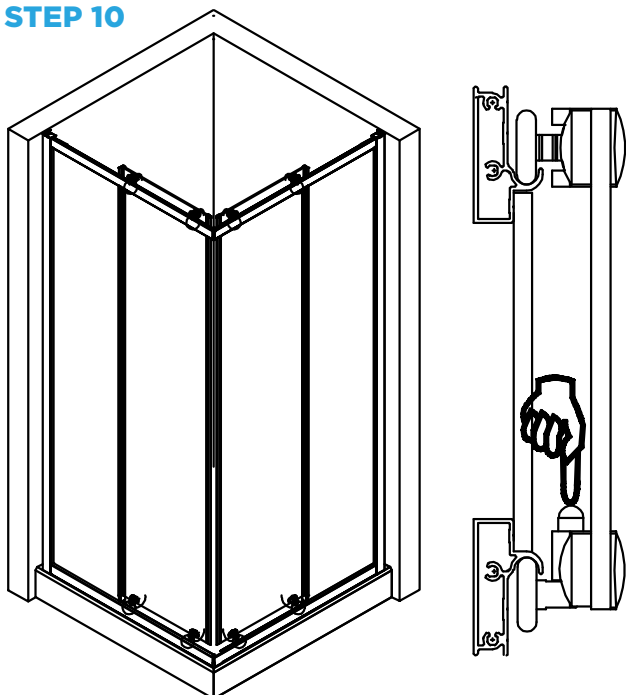
PLEASE READ CAREFULLY AS NOT ALL INSTRUCTIONS ARE THE SAME



## STEP 9



## STEP 10



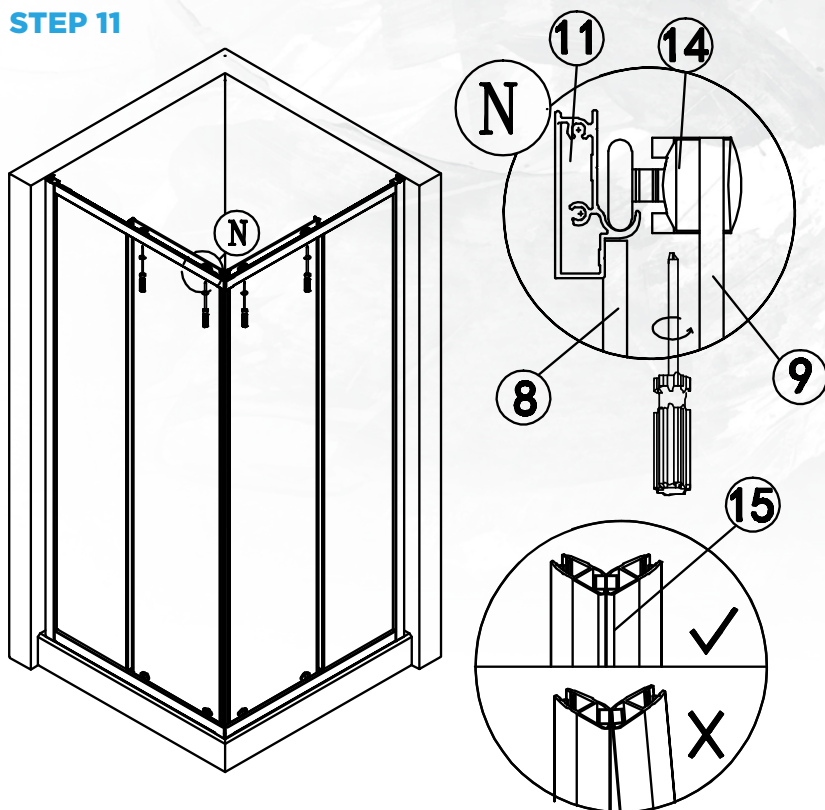
- 10** Install doors by positioning top rollers onto track. Push bottom rollers pins at the same time as hooking rollers into bottom track.

# LOUVE SQUARE SLIDER SHOWER SCREEN

PLEASE READ CAREFULLY AS NOT ALL INSTRUCTIONS ARE THE SAME

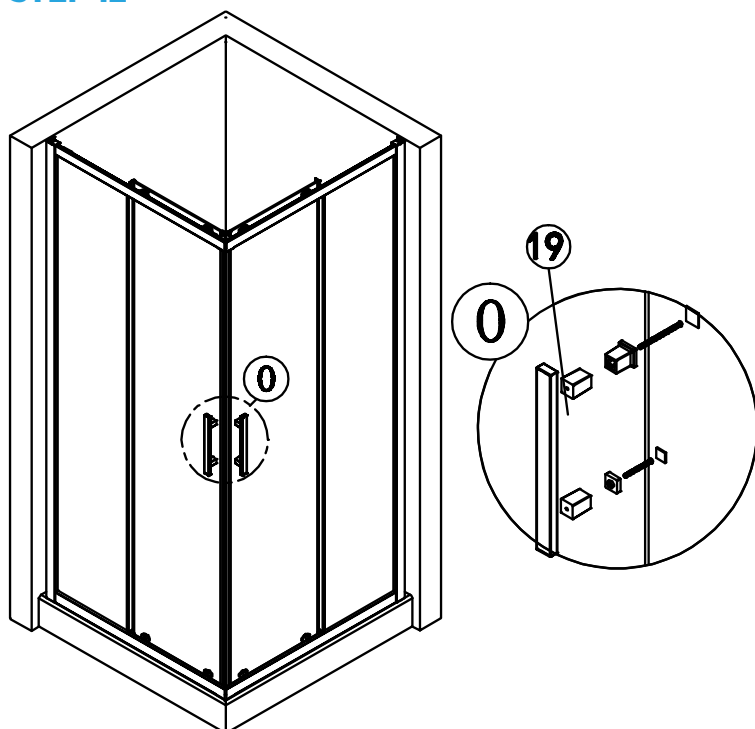


## STEP 11



11 The top roller can be adjusted to align the doors so the magnetic strips are tight.

## STEP 12

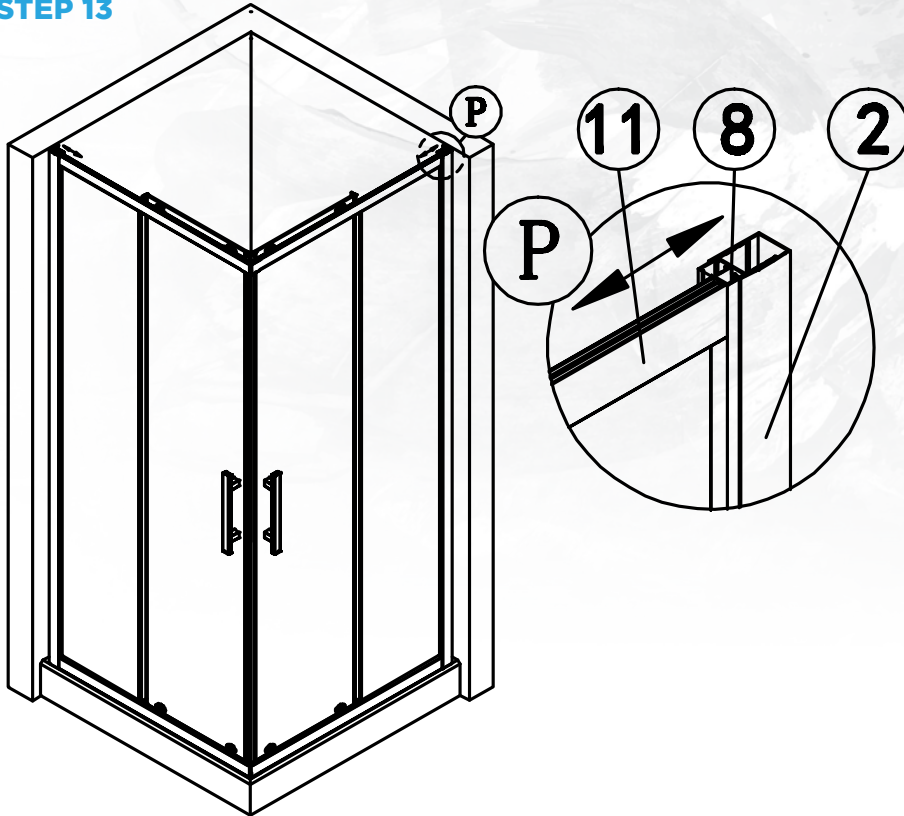


# LOUVE SQUARE SLIDER SHOWER SCREEN

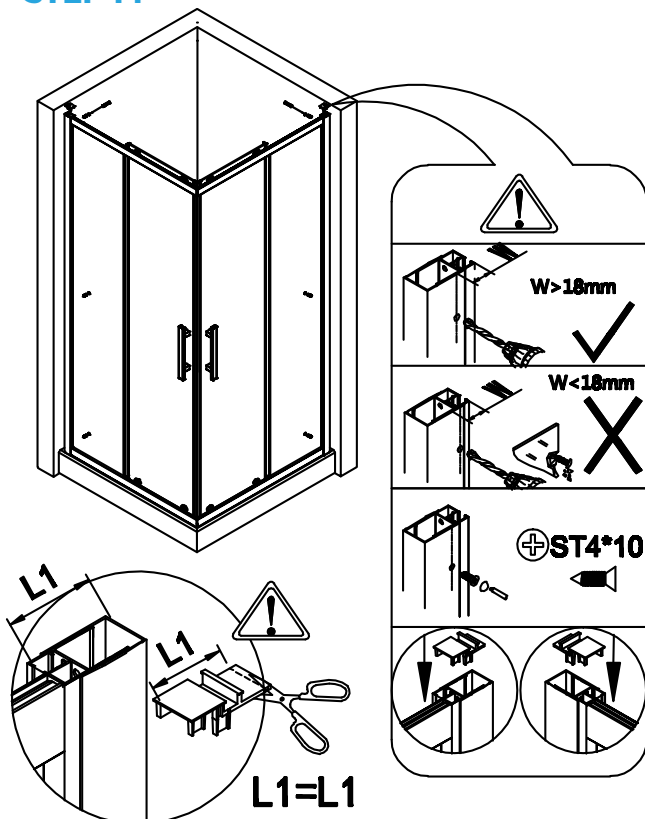
PLEASE READ CAREFULLY AS NOT ALL INSTRUCTIONS ARE THE SAME



## STEP 13



## STEP 14



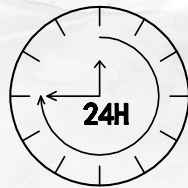
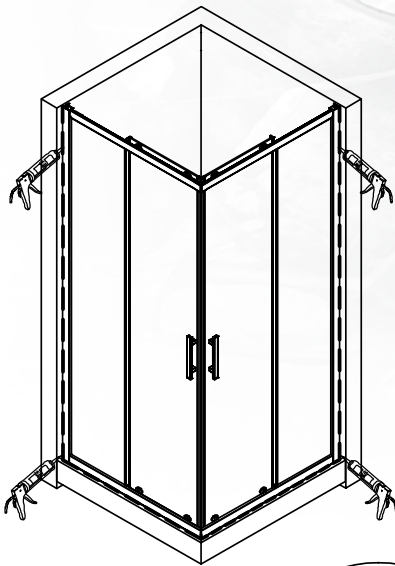
- 14 Once screen is assembled and plumb, screw screen to wall jambs

# LOUVE SQUARE SLIDER SHOWER SCREEN

PLEASE READ CAREFULLY AS NOT ALL INSTRUCTIONS ARE THE SAME



## STEP 15



- 15** Apply silicone sealer around all external joints of shower screen and allow 24 hours for silicone to set.

Silicone is not used on the inside of the shower screen because in time water can build up within the wall jamb and make the screen leak out of the shower area. The screens are designed to allow water to return into the shower area if any present.

Screen are not sealed on the inside, will void warranty.

