

KUBIX PANEL & DOOR SHOWER SCREEN

PLEASE READ CAREFULLY AS NOT ALL INSTRUCTIONS ARE THE SAME



- 2 metre high shower screens, eliminates splashing
- 8mm Glass
- Adjustable for out-of-square walls
- Door options: 900 ; 1000
- Reversible left or right hand application
- Black, white or chrome options
- Suitable for Stonelite™ shower base and tile floor installation
- Adjustable size range
- Mix and match sections to suit your size requirements
- Australian Standards AS/NZ2208, AS1288

KUBIX DOOR

Size	Chrome	Matt Black	Matt White	Size	Range (mm)
900	KUD90C	KUD90MB	KUD90MW	900 x 2000	823 - 843
1000	KUD100C	KUD100MB	KUD100MW	1000 x 2000	923 - 943

KUBIX PANEL

Size	Chrome	Matt Black	Matt White	Size	Range (mm)	Notes
900	KUSP90C	KUSP90MB	KUSP90MW	900 x 2000	855 - 880	Support arms can be cut to suit requirements. Range 855mm - 880mm included with 900, 1200, 1500 shower panels. Range 955mm - 980mm included with 1000 shower panel
1000	KUSP100C	KUSP100MB	KUSP100MW	1000 x 2000	955 - 980	
1200	KUSP120C	KUSP120MB	KUSP120MW	1200 x 2000	1155 - 1180	
1500	KUSP150C	KUSP150MB	KUSP150MW	1500 x 2000	1455 - 1480	

KUBIX SHOWER PANEL OPTIONS

code	Style	Notes
KUEXTC	90° Joiner Chrome	Kubix 90° Joiner allows Kubix shower panels to be joined together to create multiple walk-in shower options. Suits 900, 1000, 1200, 1500mm fixed panel configurations. Kubix 90° Joiner (right) is an illustration sample only of KUEXTC model.
KUEXTMB	90° Joiner Matt Black	
KUEXTMW	90° Joiner Matt White	



KUBIX PANEL & DOOR SHOWER SCREEN

PLEASE READ CAREFULLY AS NOT ALL INSTRUCTIONS ARE THE SAME



GENERAL INFORMATION

Please inspect the product immediately upon receipt for transit damage, missing packs/parts or manufacturing fault. Damage reported later cannot be accepted. Please handle the product with care avoiding knocks and shock loading to all sides and edges of the glass.

Notes: Safety glass can not be re-worked.

Please read these instructions carefully before start of installation. Special care should be taken when drilling walls to avoid hidden pipes or electrical cables. Note: This product is heavy and may require two people to install.

Aftercare instructions

After use, your shower should be cleaned with soap and water. This is particularly important in hard water districts where insoluble lime salts may be deposited and allowed to build up. Cleaners of a gritty or abrasive nature should not be used. Care should be taken to avoid contact with strong chemicals such as organic solvents and strippers.

Glass cleaners can be used but with caution, if in doubt contact the manufacturer of the cleaner in question.

Please keep these instructions for aftercare and customer service details.

TOOLS REQUIRED



SILICONE



SPIRIT
LEVEL



DRILL



6MM
DRILL BIT



FLAT
SCREWDRIVER



TAPE
MEASURE



PENCIL



HAMMER



3.2MM
DRILL BIT



PHILLIPS HEAD
SCREW DRIVER



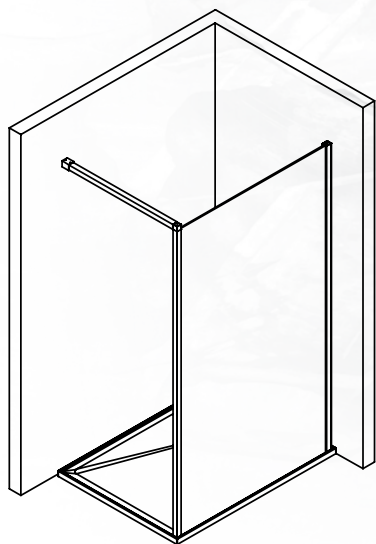
THIS PRODUCT IS HEAVY AND MAY REQUIRE TWO PEOPLE TO INSTALL.

KUBIX PANEL & DOOR SHOWER SCREEN

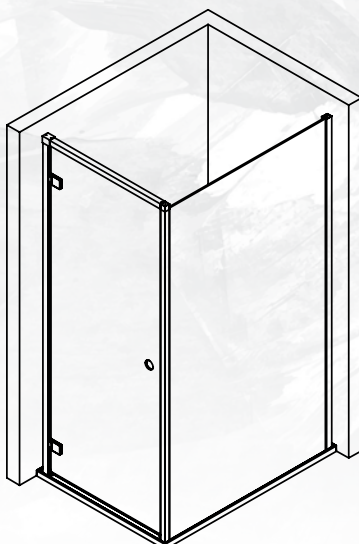
PLEASE READ CAREFULLY AS NOT ALL INSTRUCTIONS ARE THE SAME



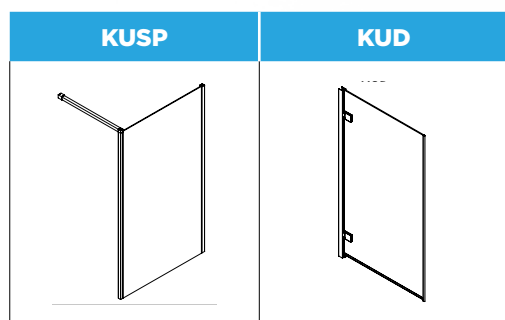
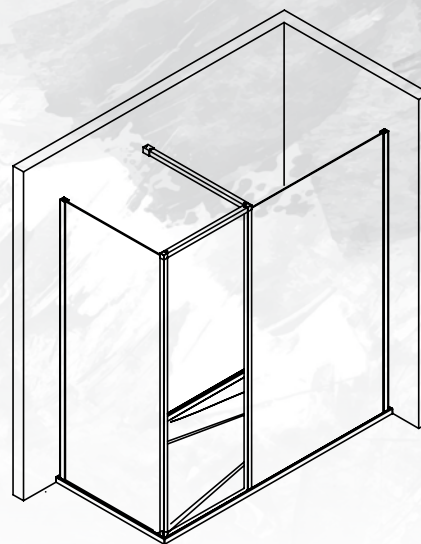
SET 1



SET 2



SET 3



	KUSP	KUD
Set 1	1 x	-
Set 2	1 x	1 x
Set 3	2 x	-

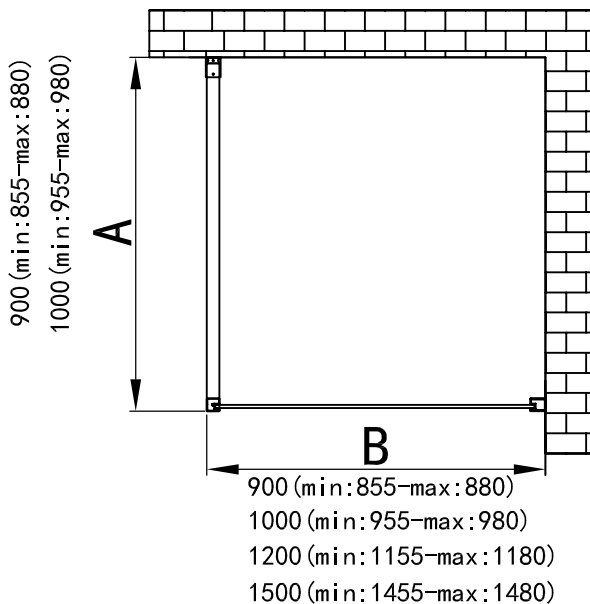
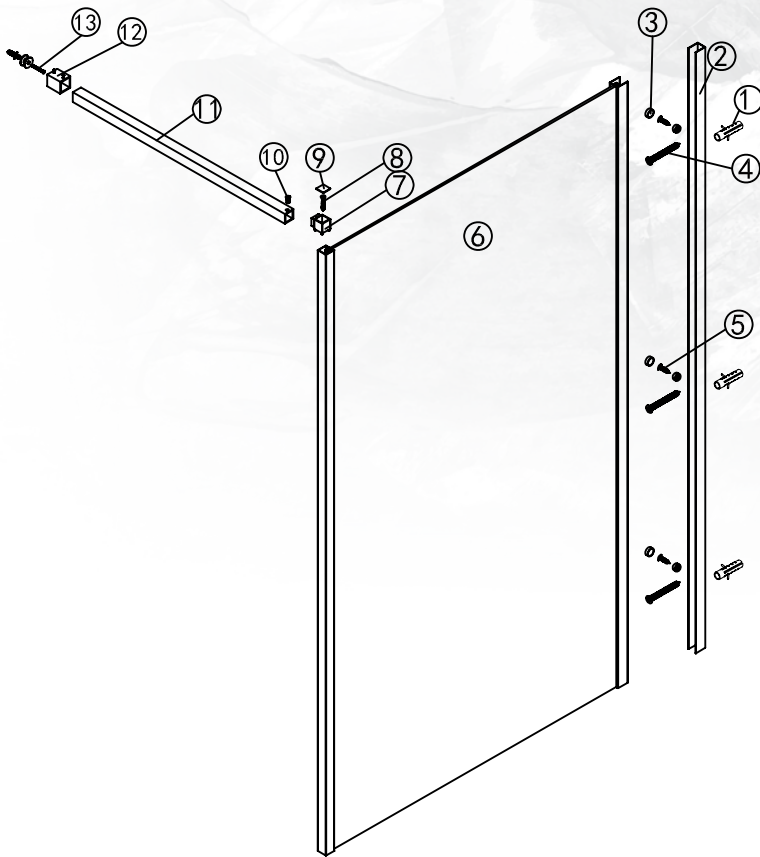
	STEPS
Set 1	1 2 3
Set 2	1 2 3 4 5 6 7 8
Set 3	9 10 11 12

KUBIX PANEL & DOOR SHOWER SCREEN

PLEASE READ CAREFULLY AS NOT ALL INSTRUCTIONS ARE THE SAME



REQUIRED PARTS - STEP 1



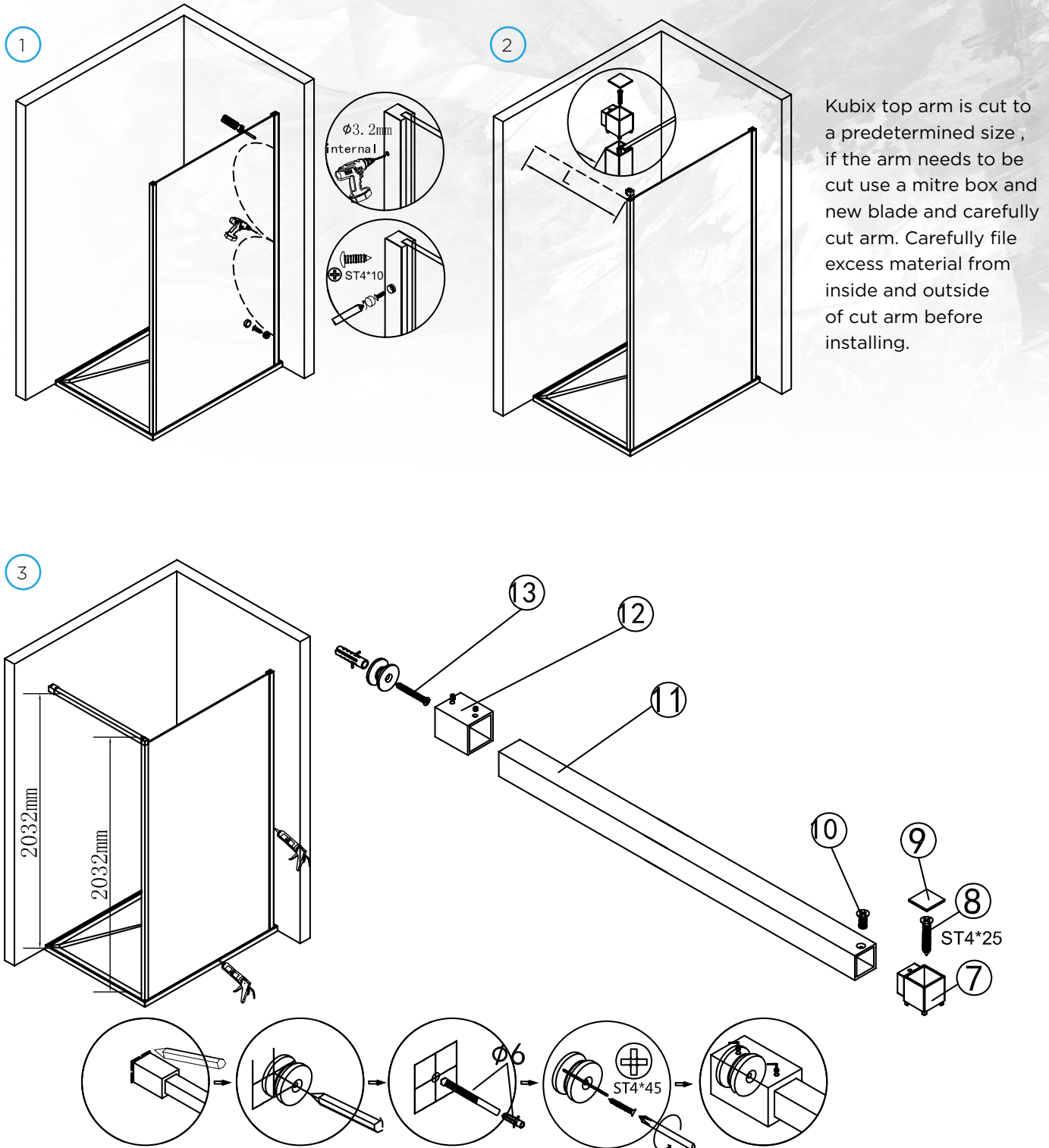
NO.	Part	Pieces
1	Ø6	x4
2		x1
3		x3
4	ST4*35	x3
5	ST4*10	x3
6		x1
7		x1
8	ST4*25	x1
9		x1
10	ST4*10	x1
11		x1
12		x1
13	ST4*45	x1

KUBIX PANEL & DOOR SHOWER SCREEN

PLEASE READ CAREFULLY AS NOT ALL INSTRUCTIONS ARE THE SAME



STEP 3

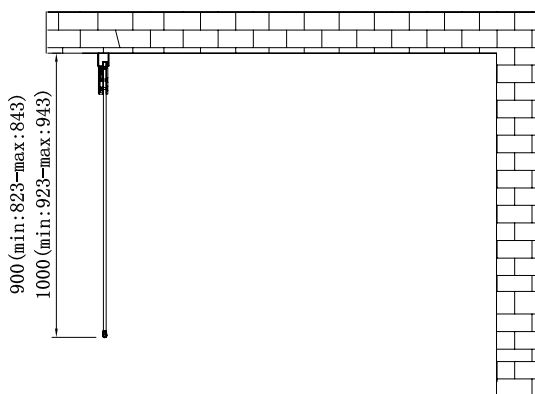
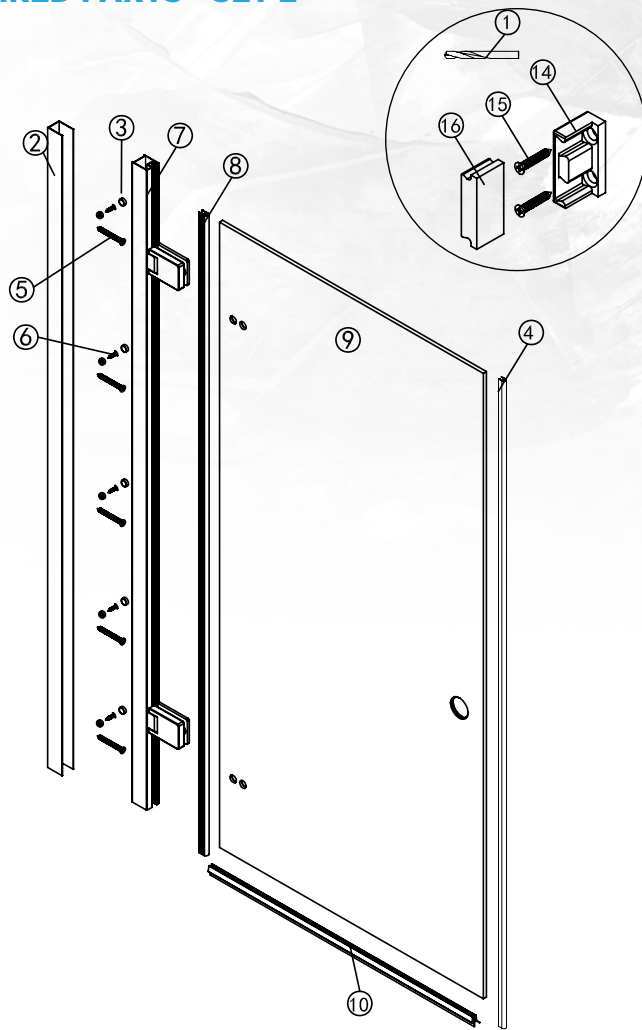


KUBIX PANEL & DOOR SHOWER SCREEN

PLEASE READ CAREFULLY AS NOT ALL INSTRUCTIONS ARE THE SAME



REQUIRED PARTS - SET 2



IMPORTANT

Wall Jamb must be securely fixed to wall, it is recommended screw fix into a timber stud

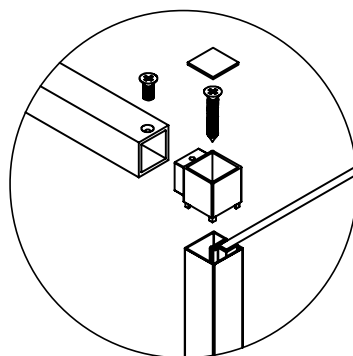
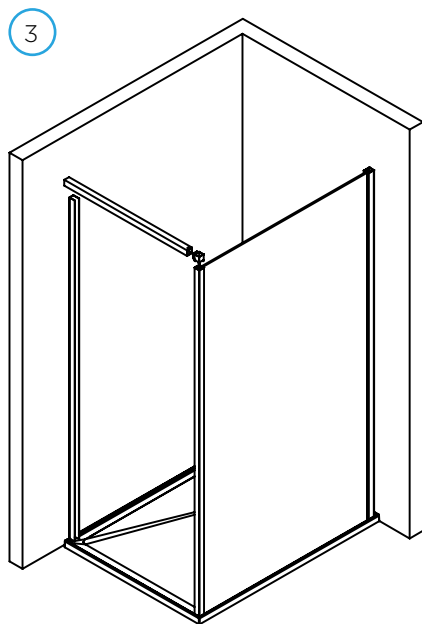
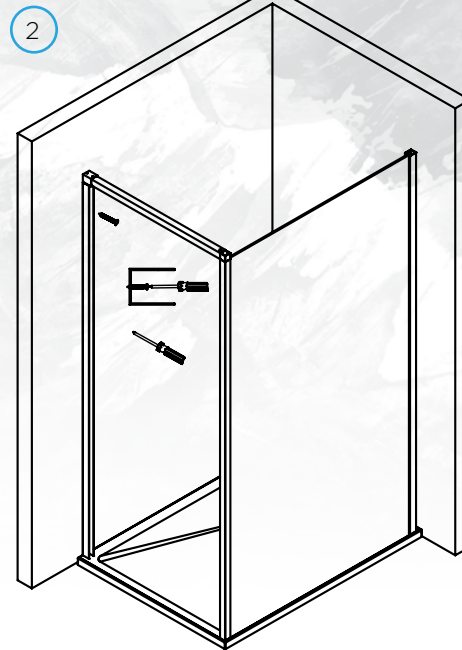
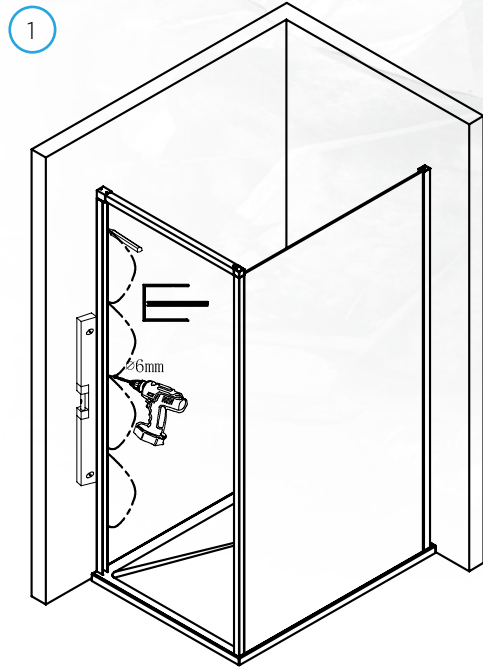
NO.	Part	Pieces
1		x1
2		x1
3		x5
4		x1
5	ST4*45	x5
6	ST4*10	x5
7		x1
8		x1
9		x1
10		x1
11	28	x1
12		x1
13	28	x2
14		x1
15	ST3*12	x2
16		x1

KUBIX PANEL & DOOR SHOWER SCREEN

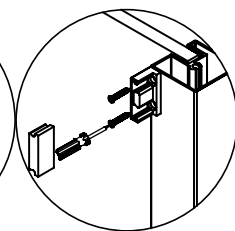
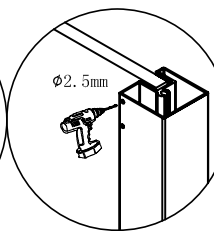
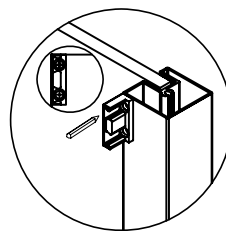
PLEASE READ CAREFULLY AS NOT ALL INSTRUCTIONS ARE THE SAME



STEP 6



Installation of door stop. Remove top connecting bracket and arm, as below mark holes for door stop, drill and fix into position. Refit top connecting bracket and arm. Ensure Kubix panel remains Level and plumb for the Kubix door installation.



ST3*12

KUBIX PANEL & DOOR SHOWER SCREEN

PLEASE READ CAREFULLY AS NOT ALL INSTRUCTIONS ARE THE SAME

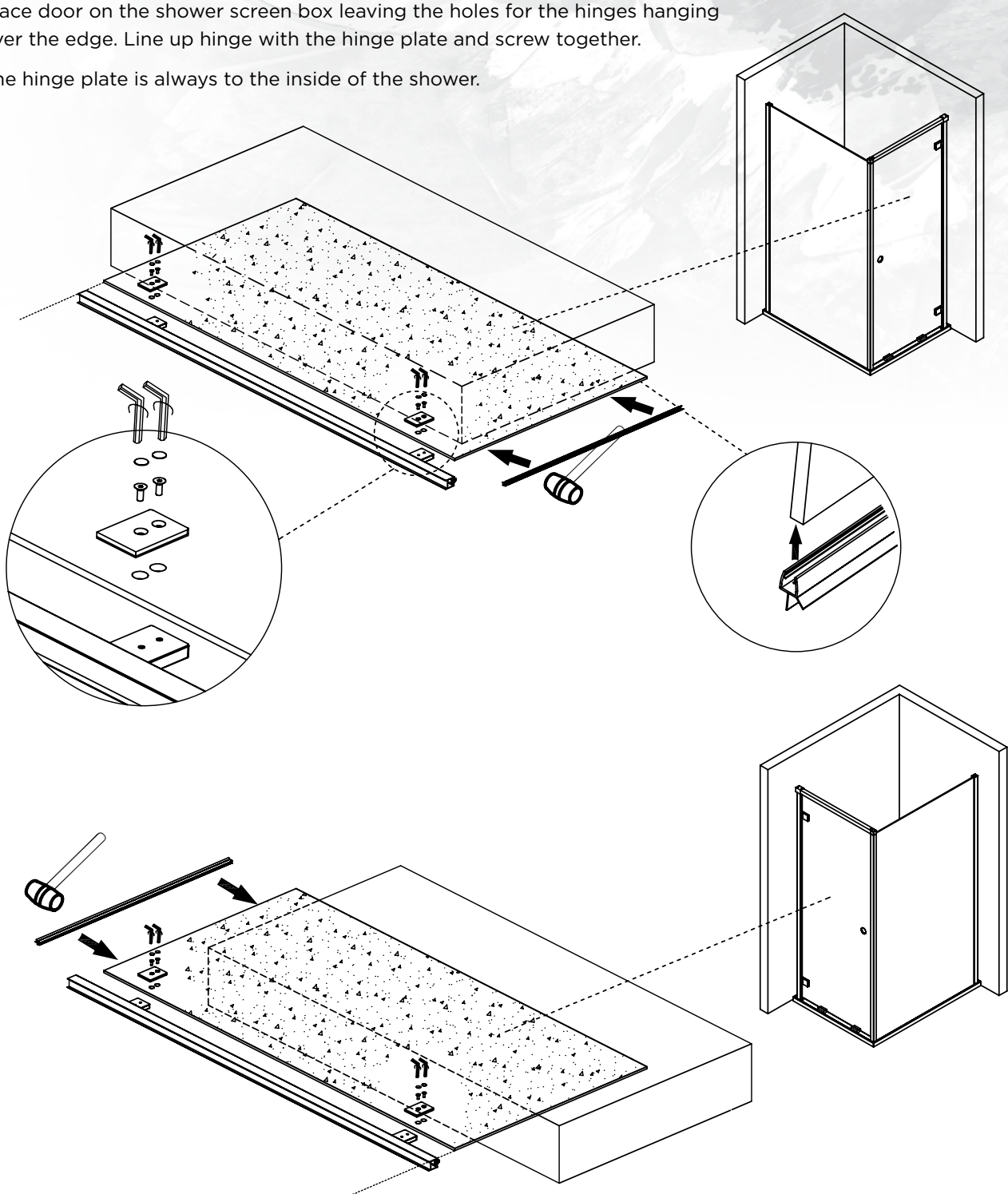


STEP 7

Decide if door is left or right hand hinge.

Place door on the shower screen box leaving the holes for the hinges hanging over the edge. Line up hinge with the hinge plate and screw together.

The hinge plate is always to the inside of the shower.



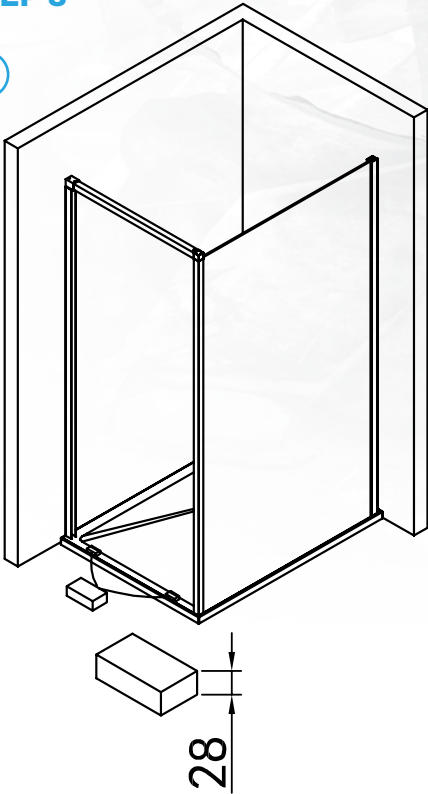
KUBIX PANEL & DOOR SHOWER SCREEN

PLEASE READ CAREFULLY AS NOT ALL INSTRUCTIONS ARE THE SAME

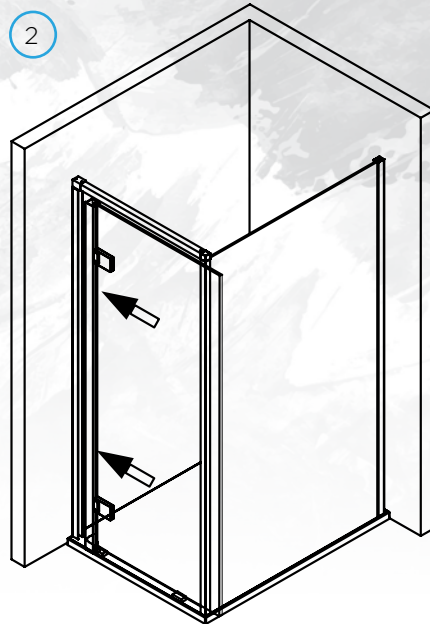


STEP 8

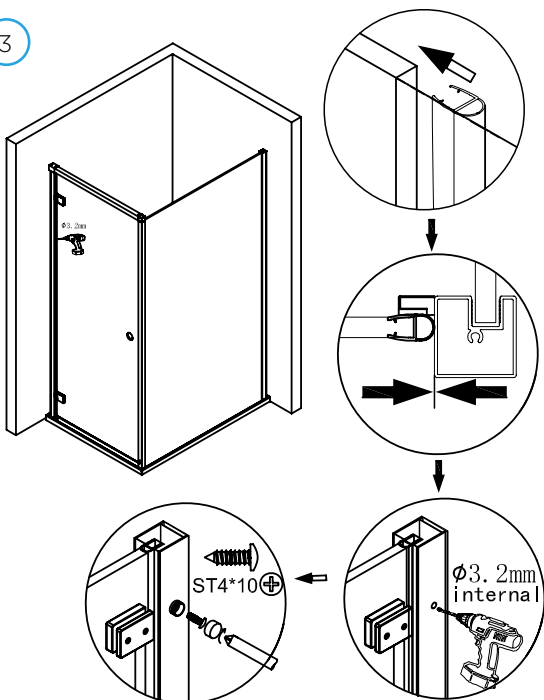
1



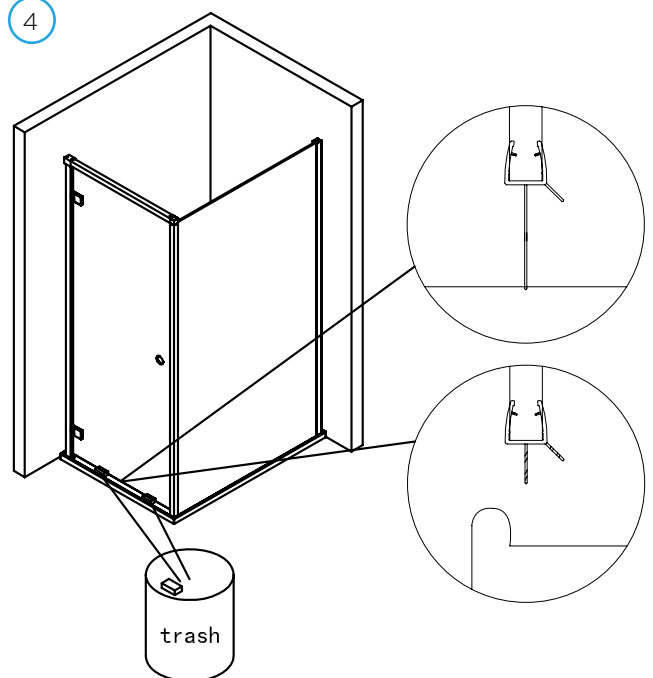
2



3



4

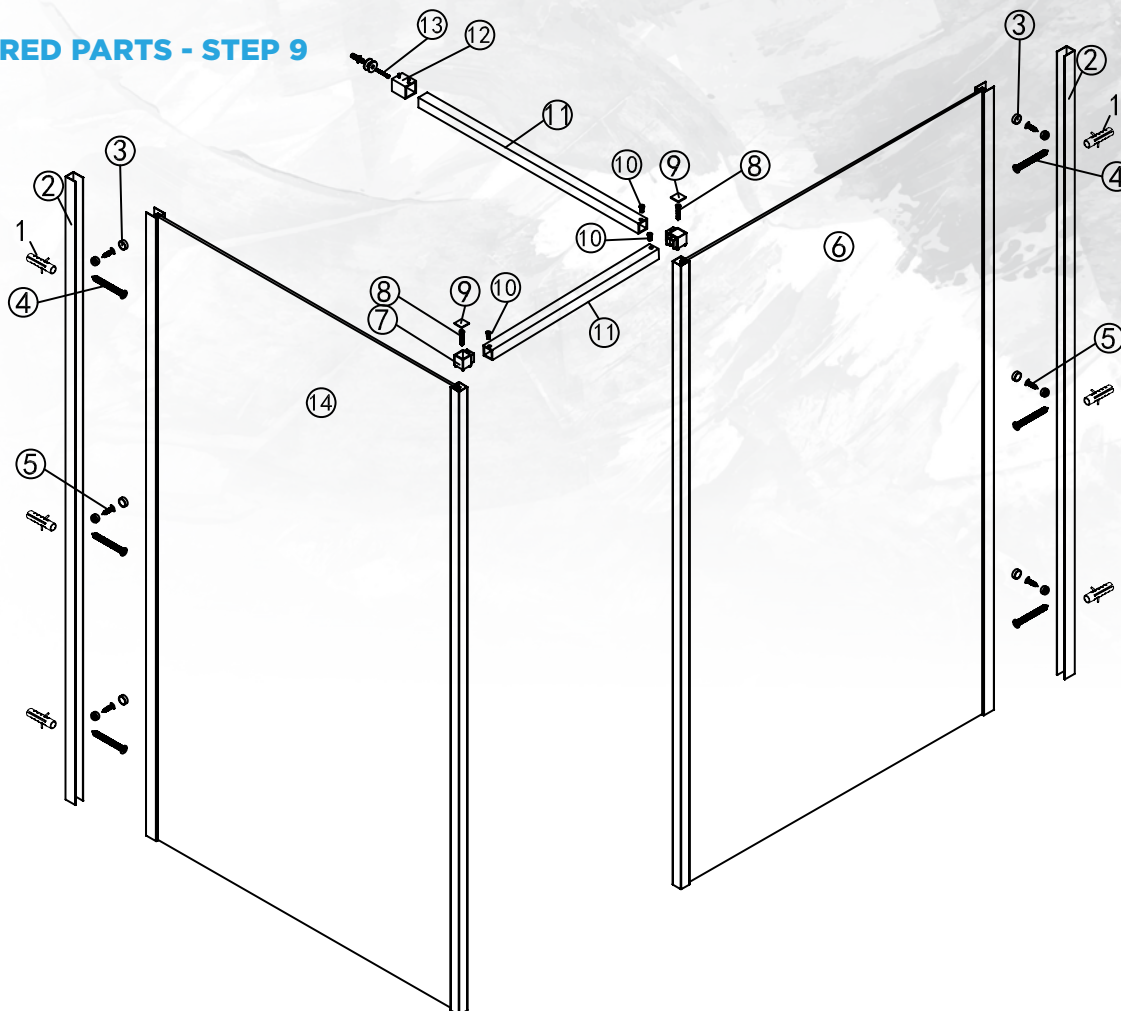


KUBIX PANEL & DOOR SHOWER SCREEN

PLEASE READ CAREFULLY AS NOT ALL INSTRUCTIONS ARE THE SAME



REQUIRED PARTS - STEP 9



No.	Part	Pieces
1	$\phi 6$	x 7
2		x 2
3		x 2
4	\oplus ST4*35	x 2
5	\oplus ST4*10	x 2
6		x 2
7		x 1

No.	Part	Pieces
8	\oplus ST4*25	x 2
9		x 2
10	\oplus ST4*10	x 3
11		x 2
12		x 1
13	\oplus ST4*45	x 1
14		x 1

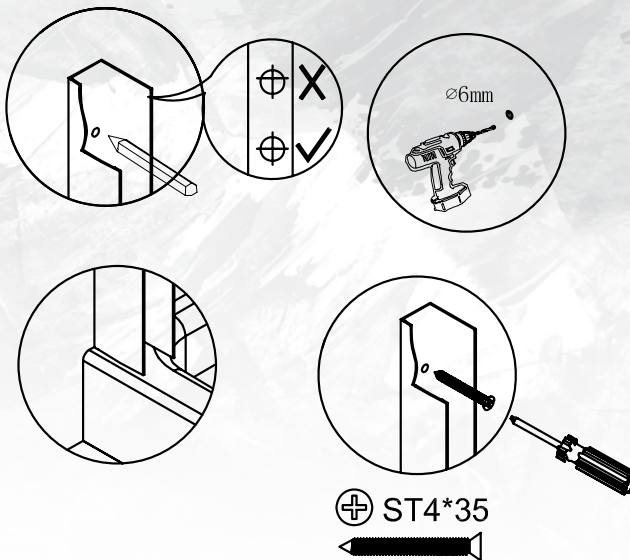
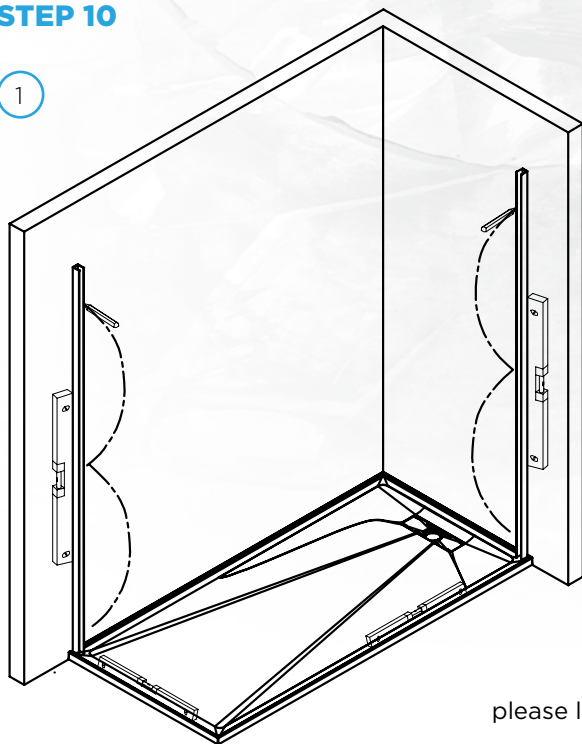
KUBIX PANEL & DOOR SHOWER SCREEN

PLEASE READ CAREFULLY AS NOT ALL INSTRUCTIONS ARE THE SAME



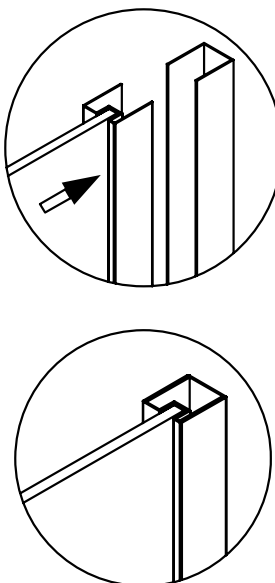
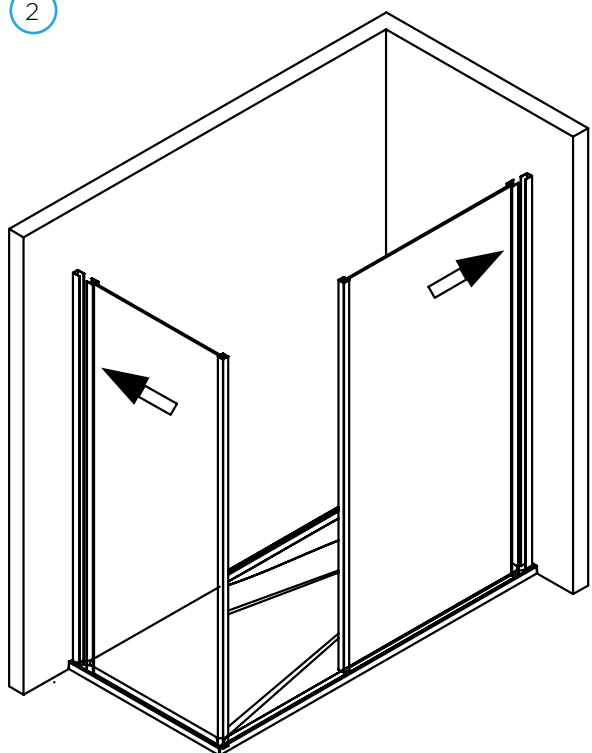
STEP 10

1



please level the shower tray before installation

2

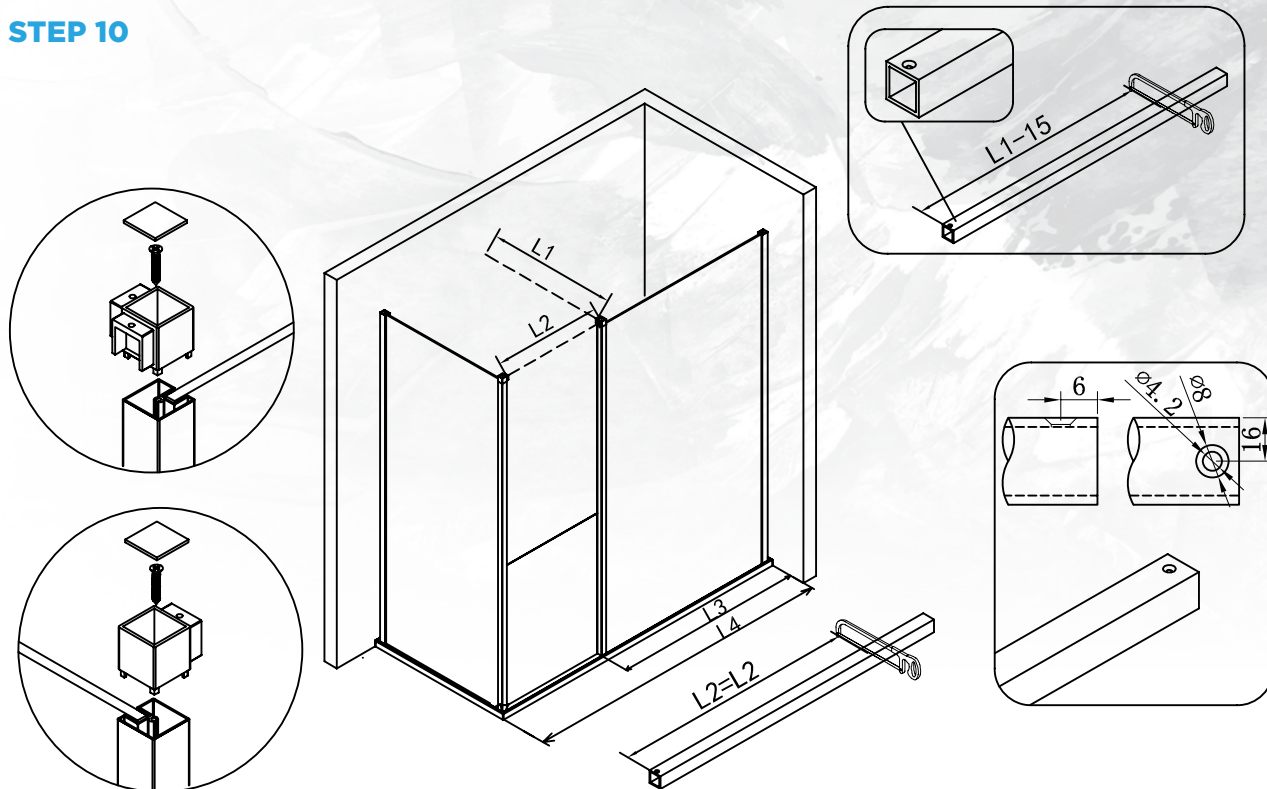


KUBIX PANEL & DOOR SHOWER SCREEN

PLEASE READ CAREFULLY AS NOT ALL INSTRUCTIONS ARE THE SAME



STEP 10



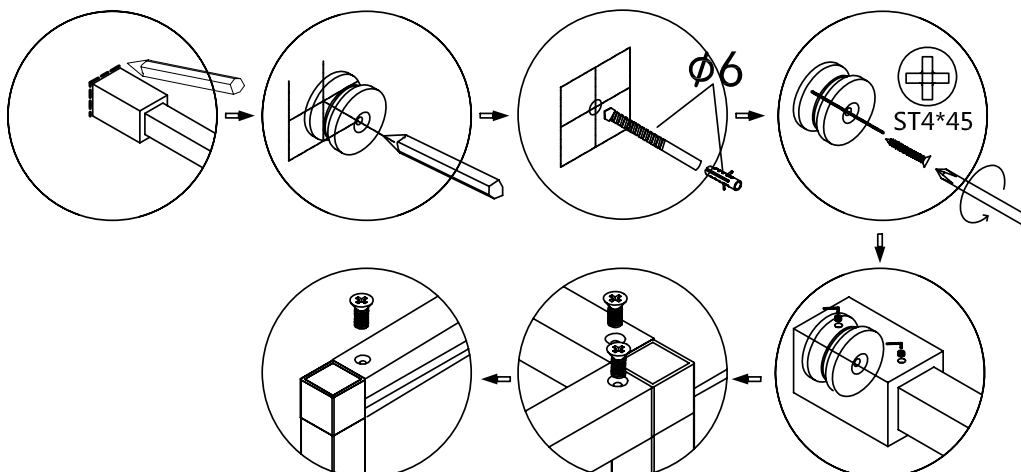
Once both Kubix shower panels are in position, install Kubix shower 90 deg joiner.

Ensure both panels are level.

Carefully measure (L2) top arm length.

Use a mitre box and new blade and carefully cut arm to size.

Use a file to clean up any excess material around cut edge before installing.

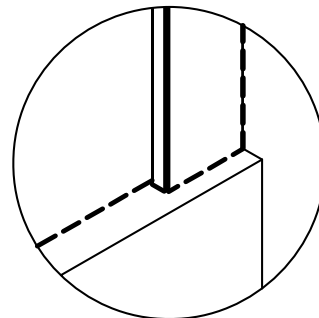
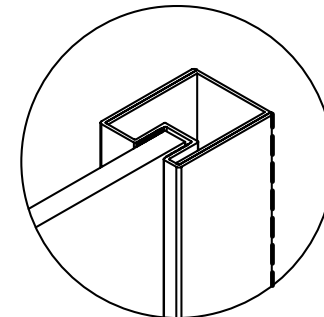
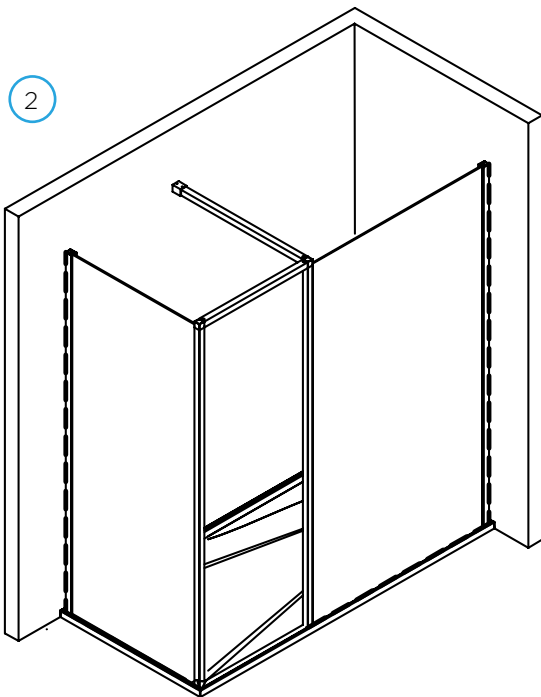
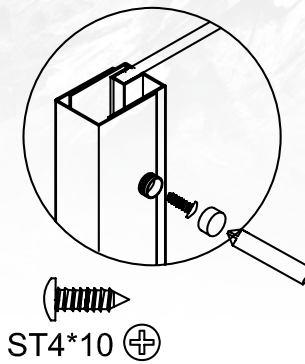
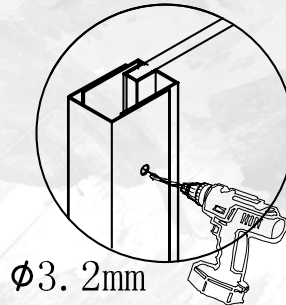
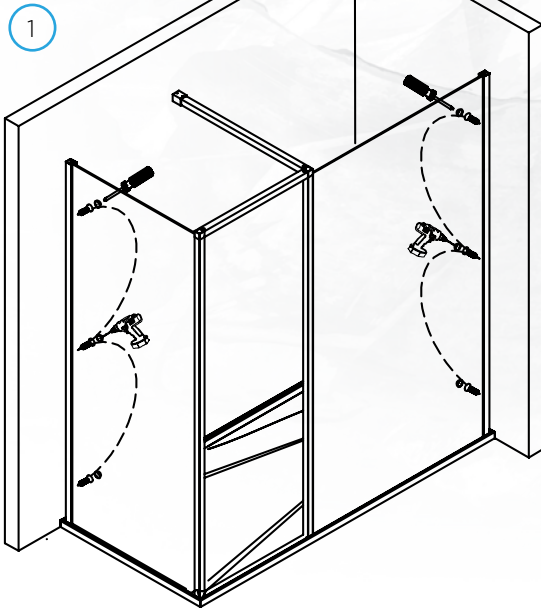


KUBIX PANEL & DOOR SHOWER SCREEN

PLEASE READ CAREFULLY AS NOT ALL INSTRUCTIONS ARE THE SAME



STEP 11



Apply silicone sealer around all external joints of shower screen and allow 24 hours for silicone to set.

Silicone is not used on the inside of the shower screen because in time water can build up within the wall jamb and make the screen leak out of the shower area. The screens are designed to allow water to return into the shower area if any present.

Screen are not sealed on the inside, will void warranty.