

LOUVE NEO ANGLE SHOWER SCREEN

PLEASE READ CAREFULLY AS NOT ALL INSTRUCTIONS ARE THE SAME



Style	Chrome	Size	Range (mm)
Front	LS90NEOFC	900 x 2000	835 - 895
	LS100NEOFC	1000 x 2000	935 - 995
Return	LS90NEORC	900 x 2000	835 - 895
	LS100NEORC	1000 x 2000	935 - 995

AVAILABLE IN 2 SIZES:

- 900 x 900
- 1000 x 1000



LOUVE NEO ANGLE SHOWER SCREEN

PLEASE READ CAREFULLY AS NOT ALL INSTRUCTIONS ARE THE SAME



GENERAL INFORMATION

Please inspect the product immediately upon receipt for transit damage, missing packs/parts or manufacturing fault. Damage reported later cannot be accepted. Please handle the product with care avoiding knocks and shock loading to all sides and edges of the glass.

Notes: Safety glass can not be re-worked.

Please read these instructions carefully before start of installation. Special care should be taken when drilling walls to avoid hidden pipes or electrical cables. Note: This product is heavy and may require two people to install.

Aftercare instructions

After use, your shower should be cleaned with soap and water. This is particularly important in hard water districts where insoluble lime salts may be deposited and allowed to build up. Cleaners of a gritty or abrasive nature should not be used. Care should be taken to avoid contact with strong chemicals such as organic solvents and strippers.

Glass cleaners can be used but with caution, if in doubt contact the manufacturer of the cleaner in question.

Please keep these instructions for aftercare and customer service details.

TOOLS REQUIRED



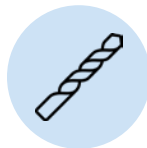
SILICONE



SPIRIT
LEVEL



DRILL



6MM
DRILL BIT



FLAT
SCREWDRIVER



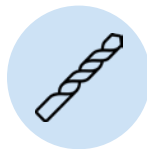
TAPE
MEASURE



PENCIL



HAMMER



3.2MM
DRILL BIT



PHILLIPS HEAD
SCREW DRIVER



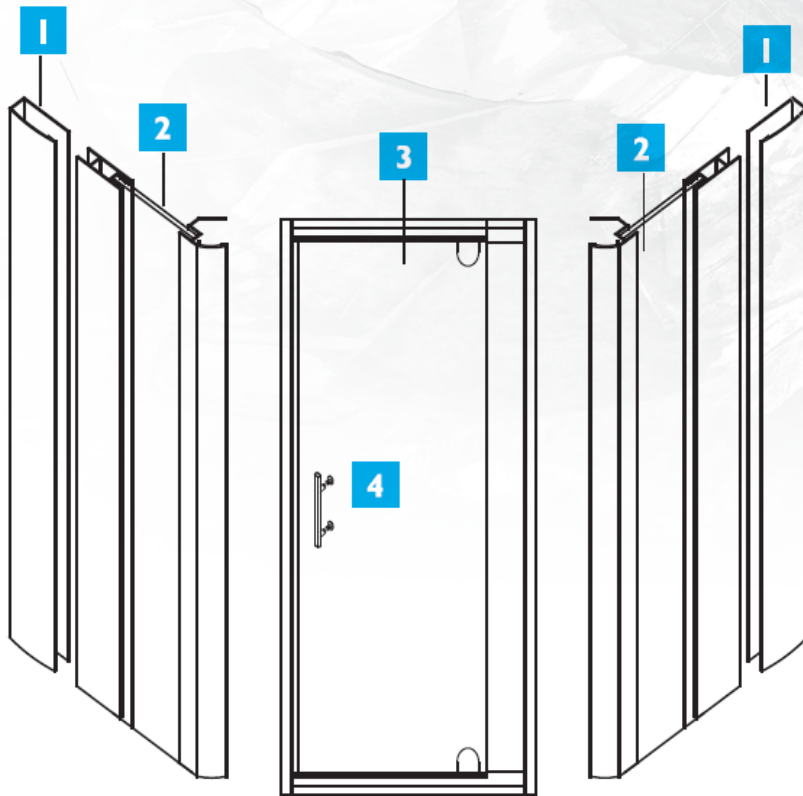
THIS PRODUCT IS HEAVY AND MAY REQUIRE TWO PEOPLE TO INSTALL.

LOUVE NEO ANGLE SHOWER SCREEN

PLEASE READ CAREFULLY AS NOT ALL INSTRUCTIONS ARE THE SAME



ASSEMBLY DRAWING



5



6



7



8

REQUIRED PARTS

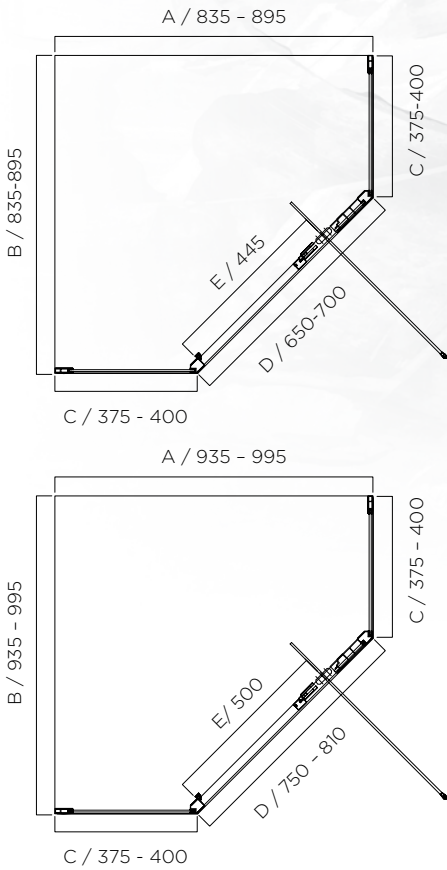
- | | | | |
|---|------------------------------------|---|-----------------------------|
| 1 | 2 x Wall Jamb | 2 | 2 x Fixed Side Panels |
| 3 | 1 x Door Front Assembly | 4 | 1 x Handle Set |
| 5 | 16 x Fixed Panel Screws - 8mm | 6 | 16 x Fixed Panel Screw Caps |
| 7 | 8 x Wall Jamb Fixing Screws - 35mm | 8 | 8 x 6mm Wall Plugs |

LOUVE NEO ANGLE SHOWER SCREEN

PLEASE READ CAREFULLY AS NOT ALL INSTRUCTIONS ARE THE SAME



STEP 1

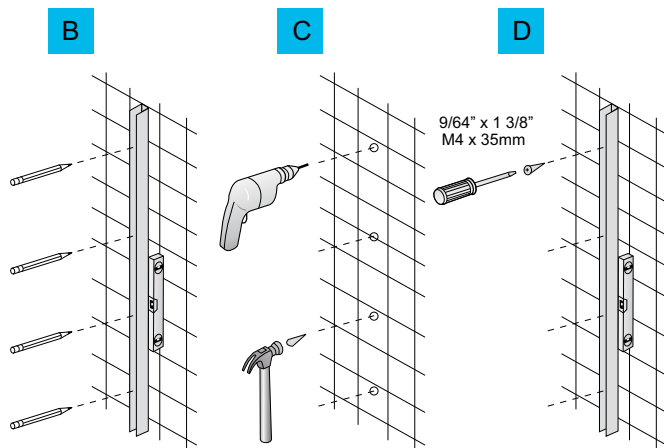


1 Measure your shower base / shower area. The measurement to the outside edge of the wall jambs (1 & 2) should be somewhere within the minimum and maximum of the screen size. See chart to the left.

Note: If using the maximum size make sure that you allow for walls that may be out of plumb. If your walls are 10mm out of plumb reduce your screen size area by this amount.

Size	Width	Depth	Fixed	Front	Opening
	A	B	C	D	E
900	835-895	835-895	375-400	650-700	445
1000	935-995	935-995	375-400	750-810	500

STEP 2



B Using a level ensure jambs (1&2) are plumb then mark the outside edge with a pencil. Then mark your pre-drilled screw holes that are on the inside of the jamb.

C Remove jambs and drill 6mm holes with drill bit. Insert plastic wall plugs (9) that are provided.

Note: Please use the correct or most suitable fixing for the surface you are screwing into, to ensure the jamb is securely fixed to the wall eg. toggle wall plug.

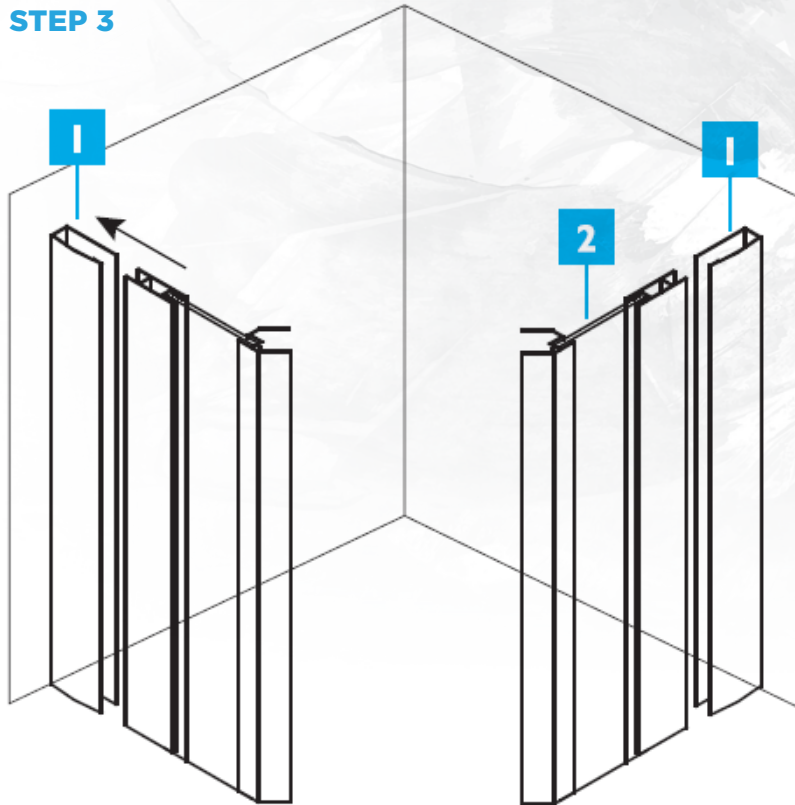
D Using a level, ensure jambs (1 & 2) are plumb and the holes in the jamb line up with the holes in the wall. Fix jamb to wall using the screws provided (8).

LOUVE NEO ANGLE SHOWER SCREEN

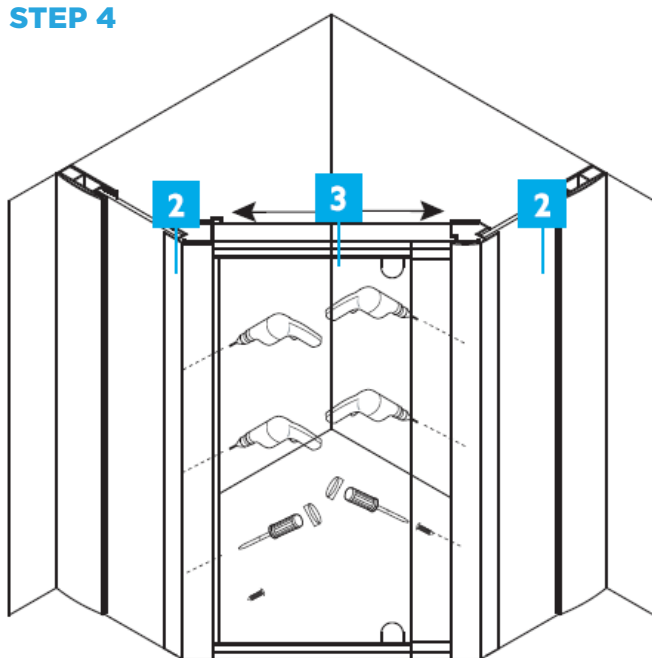
PLEASE READ CAREFULLY AS NOT ALL INSTRUCTIONS ARE THE SAME



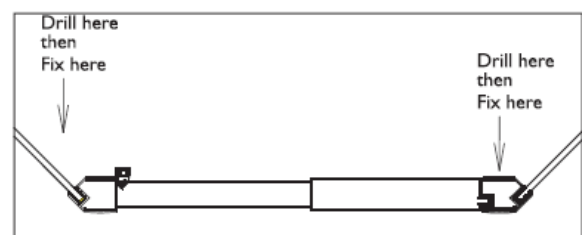
STEP 3



STEP 4



Aerial View

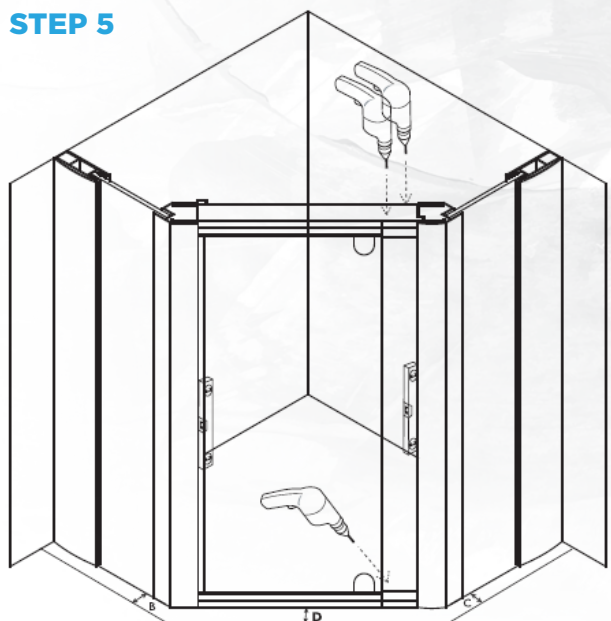


LOUVE NEO ANGLE SHOWER SCREEN

PLEASE READ CAREFULLY AS NOT ALL INSTRUCTIONS ARE THE SAME



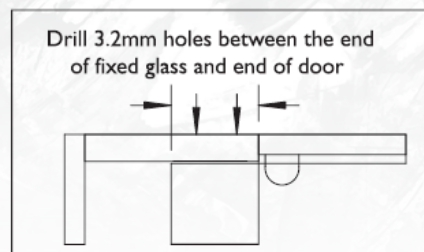
STEP 5



Only the one hole in bottom rail

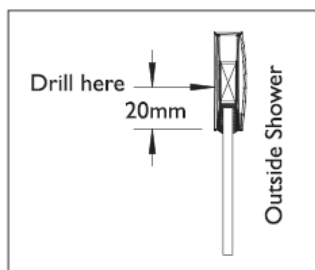
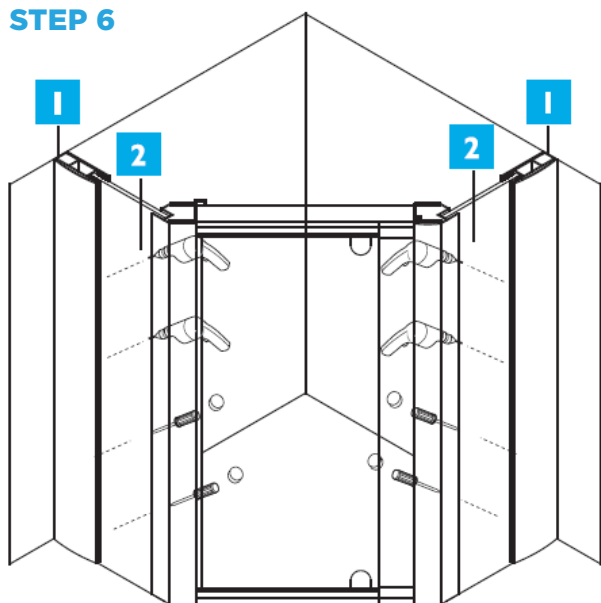


INSIDE SHOWER VIEW



FRONT SHOWER VIEW

STEP 6

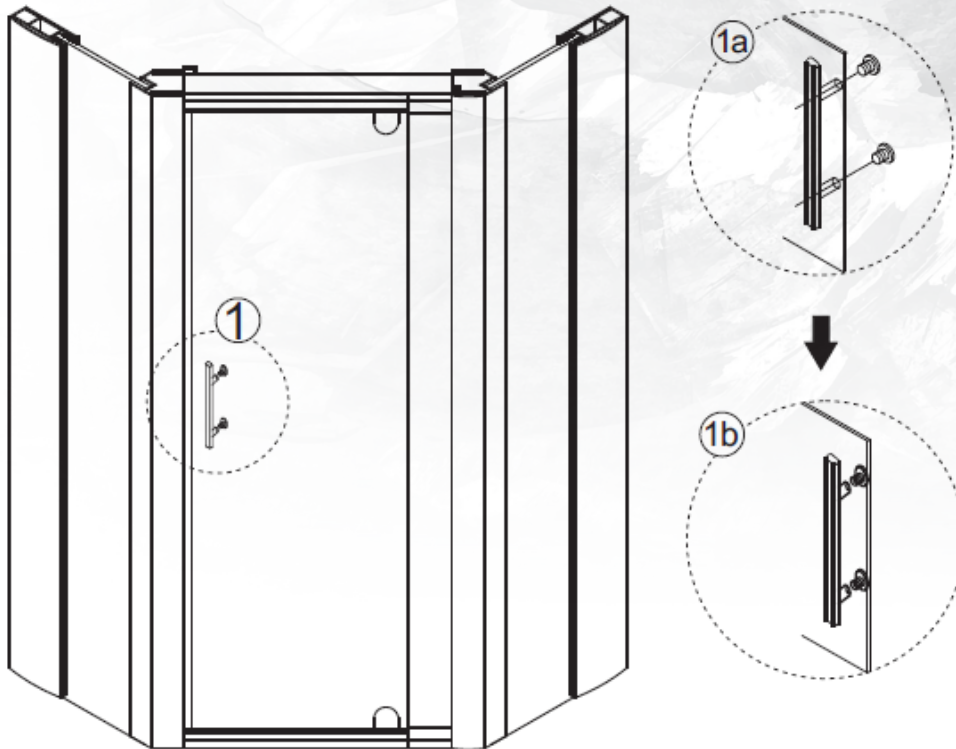


LOUVE NEO ANGLE SHOWER SCREEN

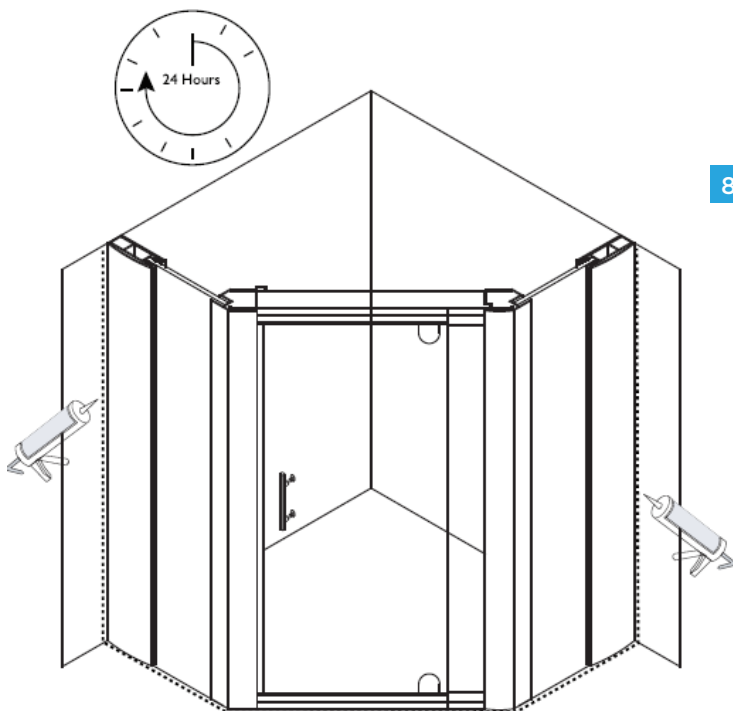
PLEASE READ CAREFULLY AS NOT ALL INSTRUCTIONS ARE THE SAME



STEP 7



STEP 8



- 8** Apply silicone sealer around all external joints of shower screen and allow 24 hours for silicone to set.

Silicone is not used on the inside of the shower screen because in time water can build up within the wall jamb and make the screen leak out of the shower area. The screens are designed to allow water to return into the shower area if any present.

Screen are not sealed on the inside, will void warranty.