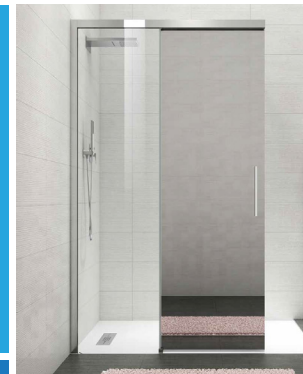


METRO SLIDER PANEL

PLEASE READ CAREFULLY AS NOT ALL INSTRUCTIONS ARE THE SAME

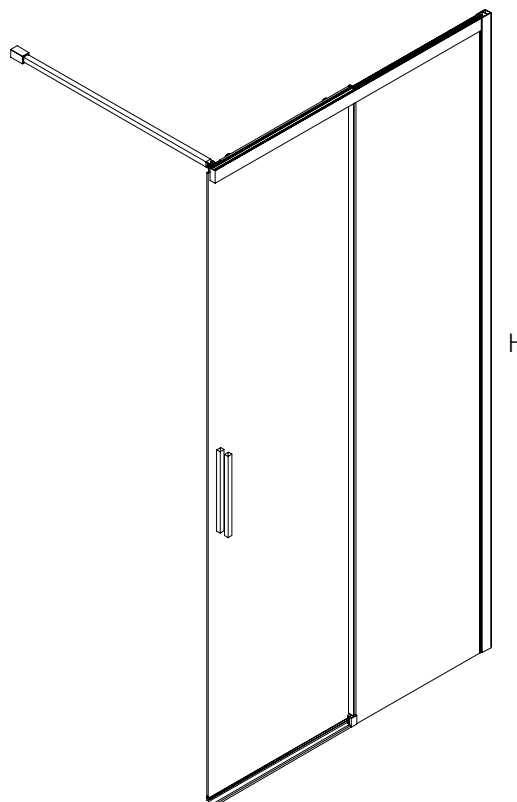
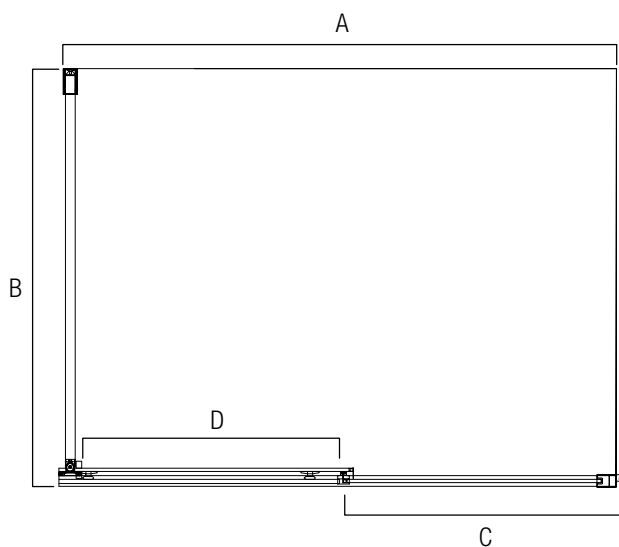


- 2 metre high shower screens
- Adjustable for out-of-square walls
- Reversible left or right hand application
- Chrome finish
- Suitable for Stonelite™ shower base and tile floor installation
- Adjustable size range
- Front only option available
- Australian Standards AS/NZ2208, AS1288

Code	Style	Size	Range (mm)
MTSPS115C	Chrome Front Mirror Door	1200 x 2000	1125 - 1150

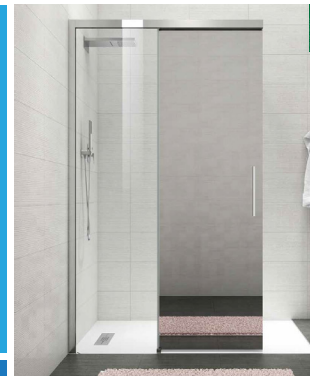
***Note:** Mirror sliding door and clear glass fixed panel

Size	Width A	Depth B	Fixed C	Opening D	Height H
1150	1125 - 1150	850 - 875	550	475	2000



METRO SLIDER PANEL

PLEASE READ CAREFULLY AS NOT ALL INSTRUCTIONS ARE THE SAME



GENERAL INFORMATION

Please inspect the product immediately upon receipt for transit damage, missing packs/parts or manufacturing fault. Damage reported later cannot be accepted. Please handle the product with care avoiding knocks and shock loading to all sides and edges of the glass.

Notes: Safety glass can not be re-worked.

Please read these instructions carefully before start of installation. Special care should be taken when drilling walls to avoid hidden pipes or electrical cables. Note: This product is heavy and may require two people to install.

Aftercare instructions

After use, your shower should be cleaned with soap and water. This is particularly important in hard water districts where insoluble lime salts may be deposited and allowed to build up. Cleaners of a gritty or abrasive nature should not be used. Care should be taken to avoid contact with strong chemicals such as organic solvents and strippers.

Glass cleaners can be used but with caution, if in doubt contact the manufacturer of the cleaner in question.

Please keep these instructions for aftercare and customer service details.

TOOLS REQUIRED



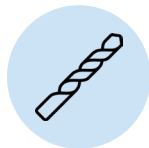
SILICONE



SPIRIT
LEVEL



DRILL



6MM
DRILL BIT



FLAT
SCREWDRIVER



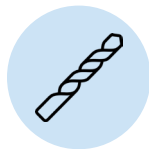
TAPE
MEASURE



PENCIL



HAMMER



3.2MM
DRILL BIT



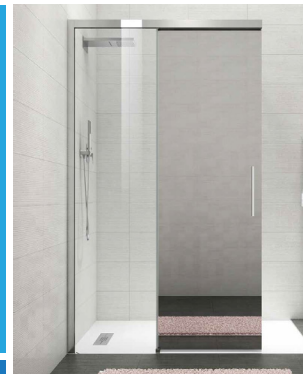
PHILLIPS HEAD
SCREW DRIVER



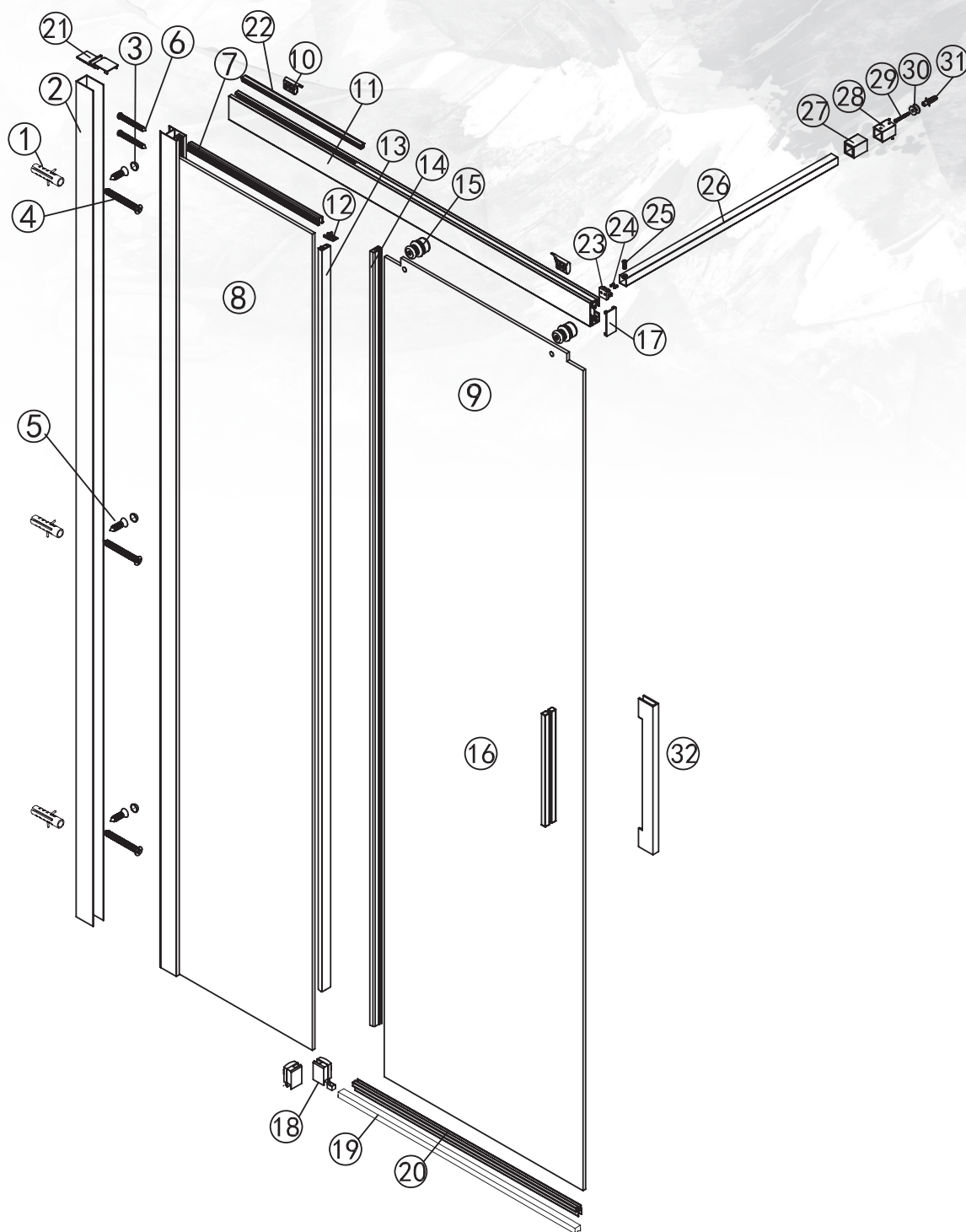
THIS PRODUCT IS HEAVY AND MAY REQUIRE TWO PEOPLE TO INSTALL.

METRO SLIDER PANEL

PLEASE READ CAREFULLY AS NOT ALL INSTRUCTIONS ARE THE SAME



ASSEMBLY DRAWING




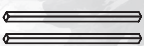







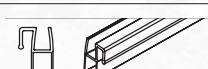


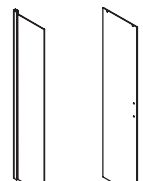





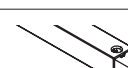







Carefully inspect shower screen prior to installation.
Once screen is installed no claim on damage will be accepted.

METRO SLIDER PANEL

PLEASE READ CAREFULLY AS NOT ALL INSTRUCTIONS ARE THE SAME

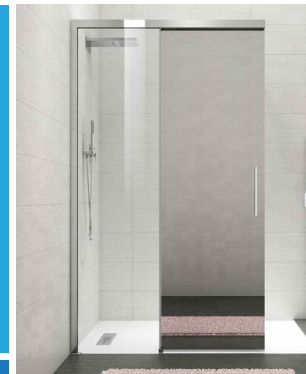


REQUIRED PARTS

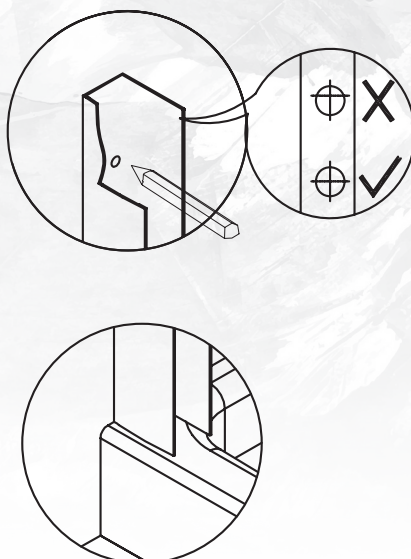
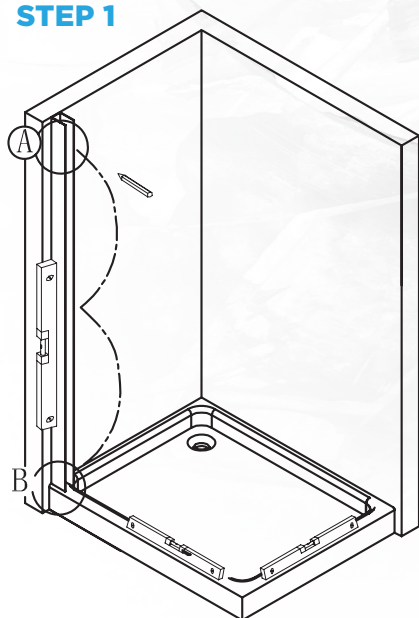
No.	Part	Pieces	No.	Designation	Pieces
1	 $\phi 6$	x 3	16		x 2
2		x 1	17		x 1
3		x 3	18		x 1
4	 \oplus ST4*35	x 3	19		x 1
5	 \oplus ST4*10	x 3	20		x 1
6	 \oplus ST3.5*35	x 2	21		x 1
7		x 1	22		x 1
8 & 9		x 1 x 1	23		x 1
10		x 2	24	 \oplus ST4*12	x 1
11		x 1	25	 \oplus ST4*16	x 1
12		x 1	26		x 1
13	short 	x 1	27		x 1
14	long 	x 1	28		x 1
15		x 2	29	 \oplus ST4*45	x 1
			30		x 1
			31	 $\phi 6$	x 1
			32		x 1

METRO SLIDER PANEL

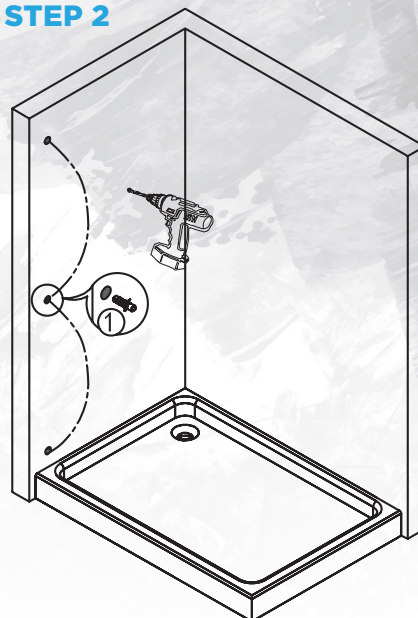
PLEASE READ CAREFULLY AS NOT ALL INSTRUCTIONS ARE THE SAME



STEP 1

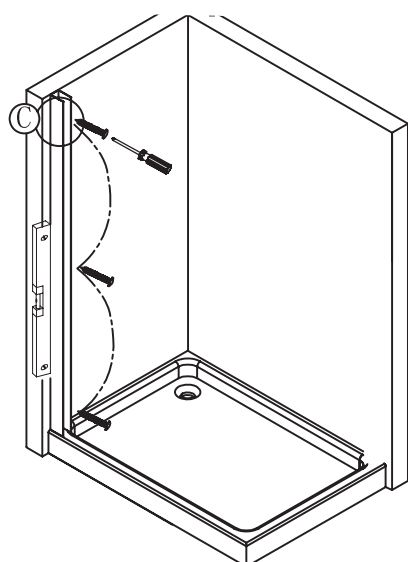


STEP 2

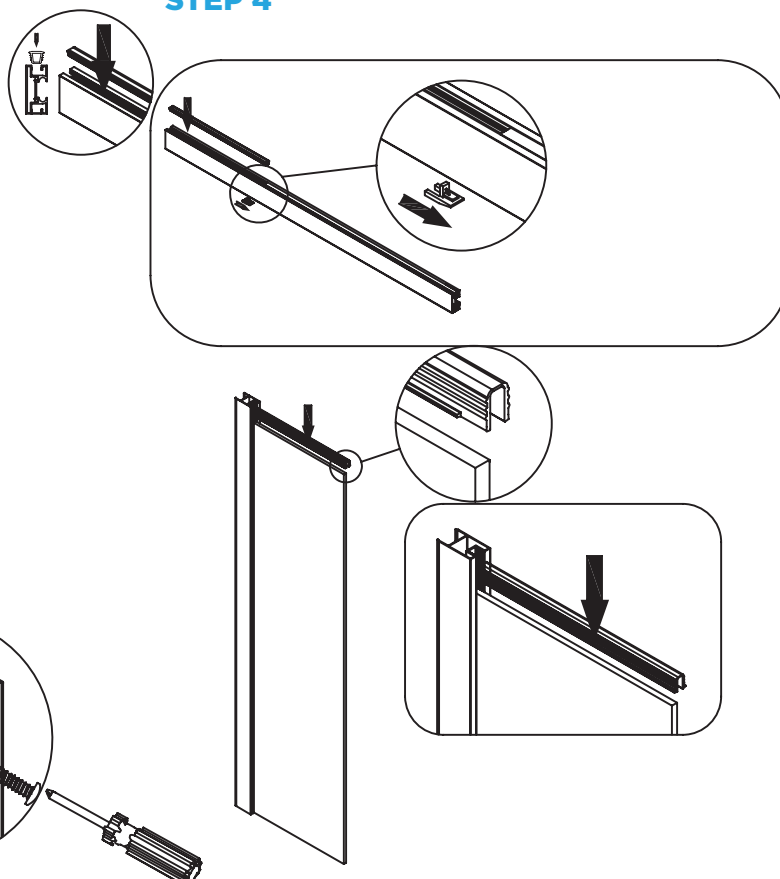


Wall jamb MUST be fixed into stud or noggin

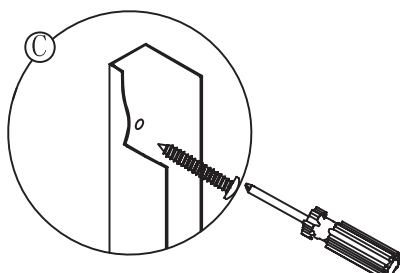
STEP 3



STEP 4

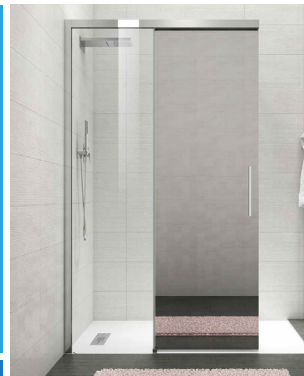


⊕ ST4*35

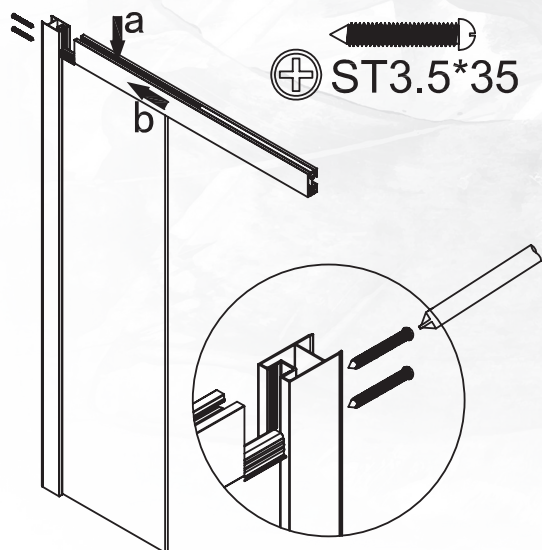


METRO SLIDER PANEL

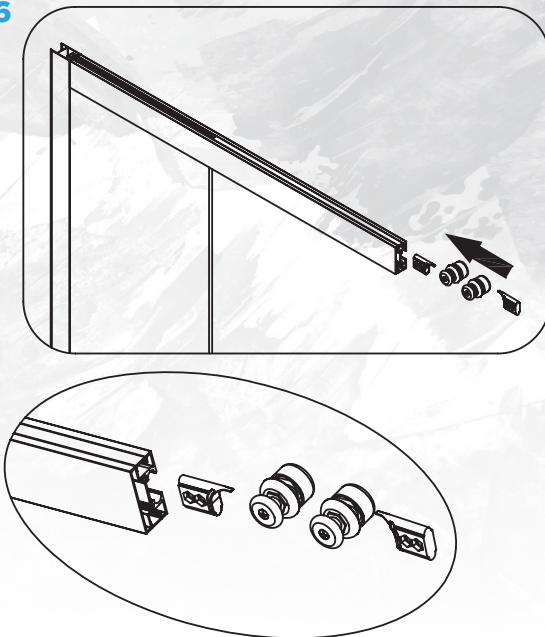
PLEASE READ CAREFULLY AS NOT ALL INSTRUCTIONS ARE THE SAME



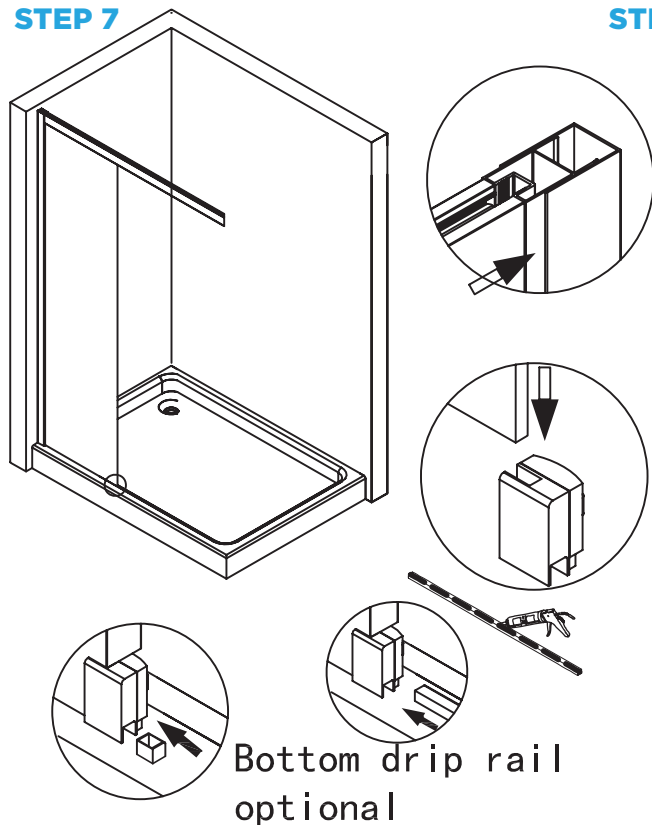
STEP 5



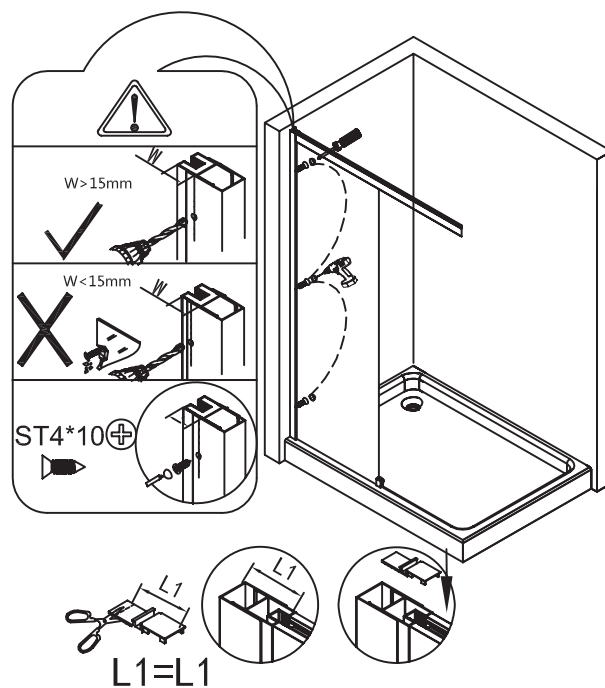
STEP 6



STEP 7

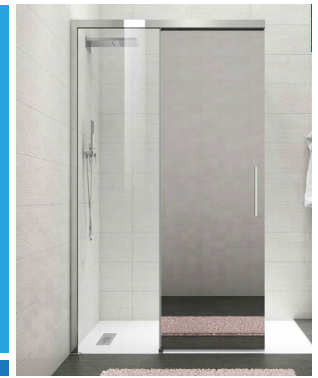


STEP 8

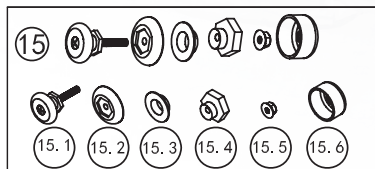
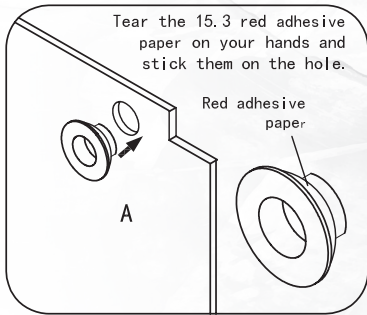


METRO SLIDER PANEL

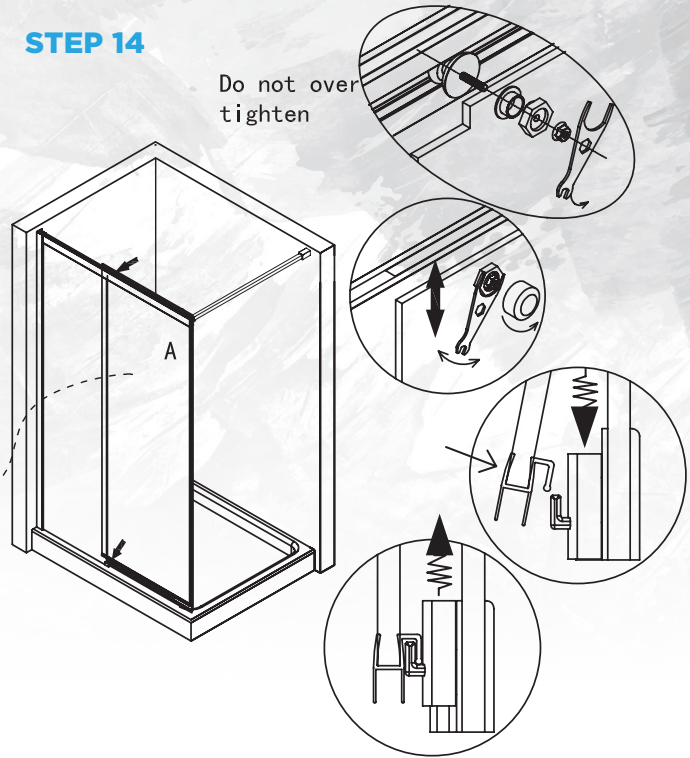
PLEASE READ CAREFULLY AS NOT ALL INSTRUCTIONS ARE THE SAME



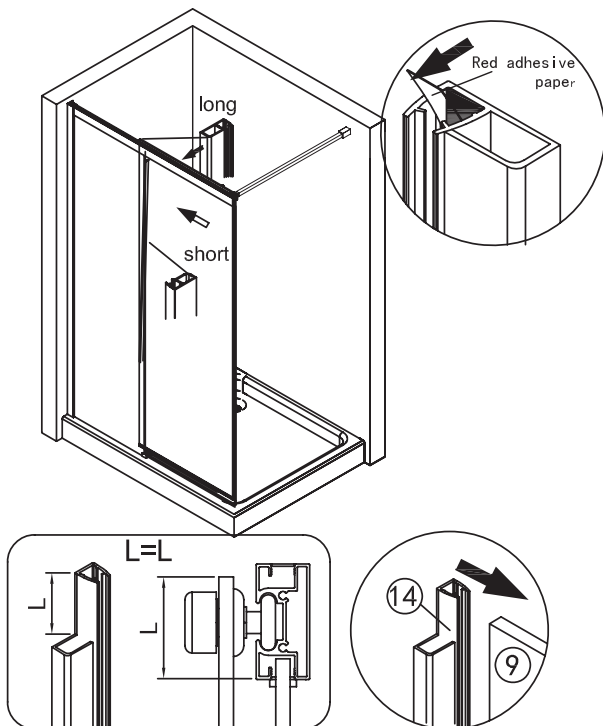
STEP 13



STEP 14

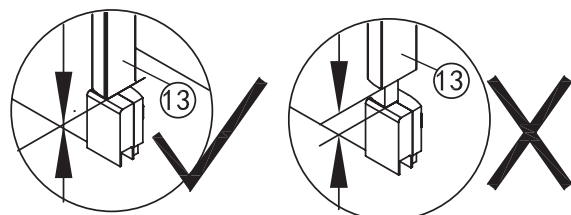


STEP 15



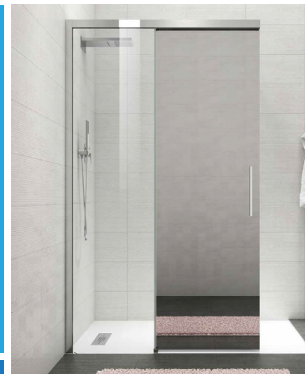
Remove red tape from inside of buffer strip 13 and firmly press onto fixed panel.

Remove red tape from inside of buffer strip 14 and firmly press onto the back of the door panel. Ensure both buffer strips are fully bonded to the edge of the fixed panel and door.

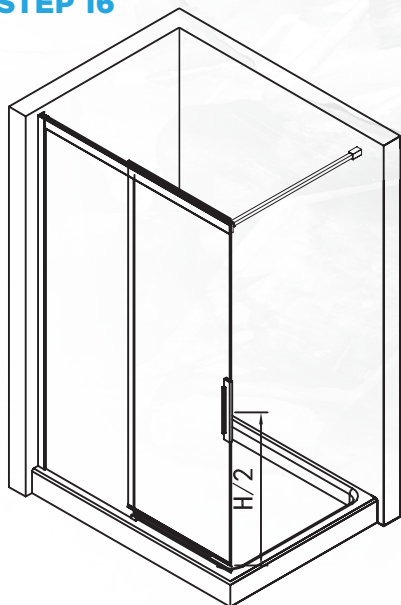


METRO SLIDER PANEL

PLEASE READ CAREFULLY AS NOT ALL INSTRUCTIONS ARE THE SAME

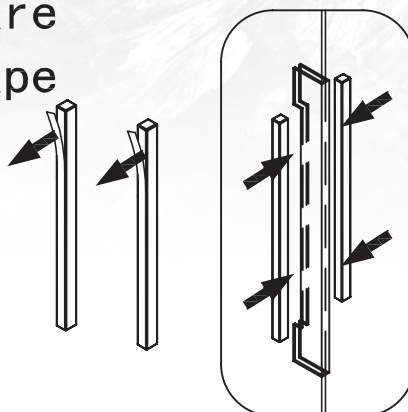


STEP 16

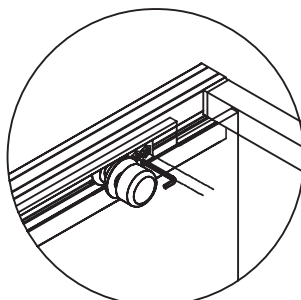
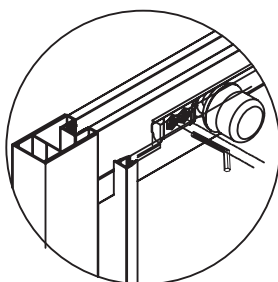
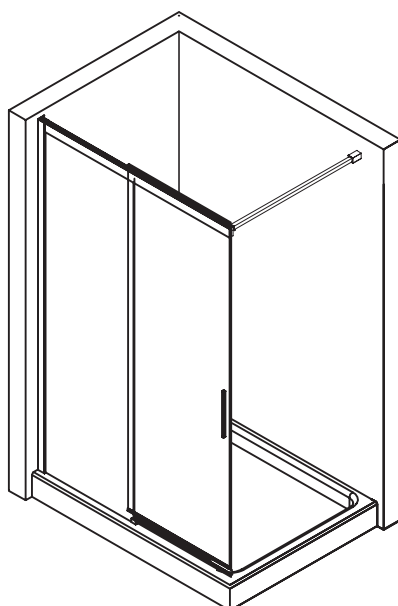


Use template to position handle. Measure and position template in the middle of the door, use masking tape to hold template in position. Remove paper backing from handle and position handle using the template. Hold handle firm for 60 seconds and if required tape in position.

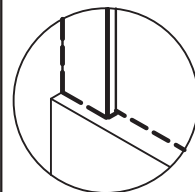
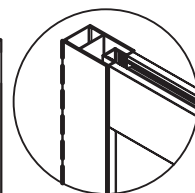
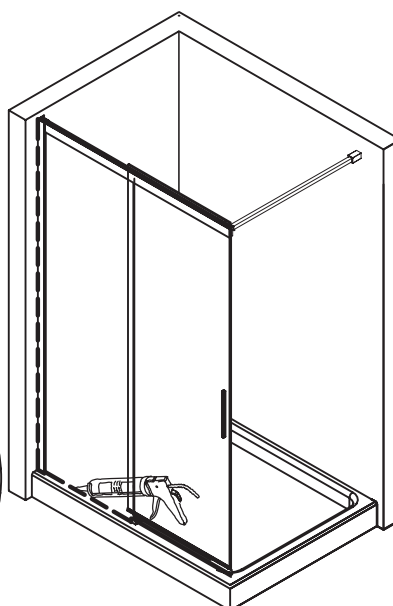
Tare
tape



STEP 17



STEP 18



Silicone outside of screen only