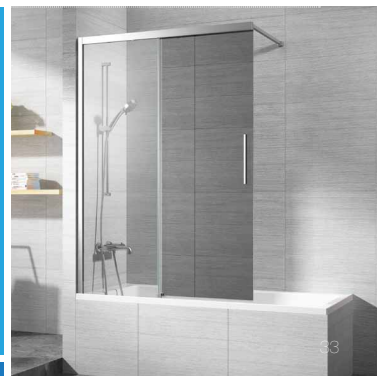


# METRO BATH SLIDER

**PLEASE READ CAREFULLY AS NOT ALL INSTRUCTIONS ARE THE SAME**



- 1.6 metre high shower screens
- Adjustable for out-of-square walls
- Reversible left or right hand application
- Chrome finish
- Australian Standards AS/NZ2208, AS1288

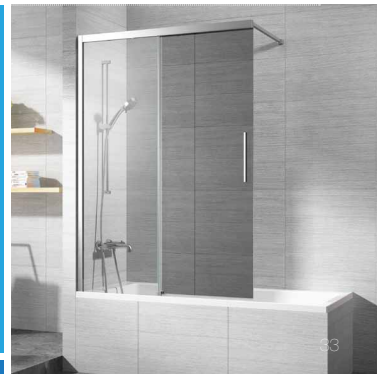
Code	Style	Size	Range (mm)
<b>MTBSS1150C</b>	Chrome Front Mirror Door	1200 x 1600	1175 - 1200

**\*Note:** Mirror sliding door and clear glass fixed panel



# METRO BATH SLIDER

**PLEASE READ CAREFULLY AS NOT ALL INSTRUCTIONS ARE THE SAME**



## GENERAL INFORMATION

Please inspect the product immediately upon receipt for transit damage, missing packs/parts or manufacturing fault. Damage reported later cannot be accepted. Please handle the product with care avoiding knocks and shock loading to all sides and edges of the glass.

**Notes: Safety glass can not be re-worked.**

Please read these instructions carefully before start of installation. Special care should be taken when drilling walls to avoid hidden pipes or electrical cables. Note: This product is heavy and may require two people to install.

### Aftercare instructions

After use, your shower should be cleaned with soap and water. This is particularly important in hard water districts where insoluble lime salts may be deposited and allowed to build up. Cleaners of a gritty or abrasive nature should not be used. Care should be taken to avoid contact with strong chemicals such as organic solvents and strippers.

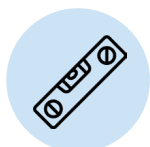
Glass cleaners can be used but with caution, if in doubt contact the manufacturer of the cleaner in question.

Please keep these instructions for aftercare and customer service details.

## TOOLS REQUIRED



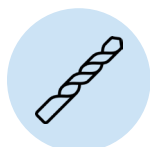
SILICONE



SPIRIT  
LEVEL



DRILL



6MM  
DRILL BIT



FLAT  
SCREWDRIVER



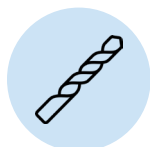
TAPE  
MEASURE



PENCIL



HAMMER



3.2MM  
DRILL BIT



PHILLIPS HEAD  
SCREW DRIVER



**THIS PRODUCT IS HEAVY AND MAY REQUIRE TWO PEOPLE TO INSTALL.**

# METRO BATH SLIDER

PLEASE READ CAREFULLY AS NOT ALL INSTRUCTIONS ARE THE SAME



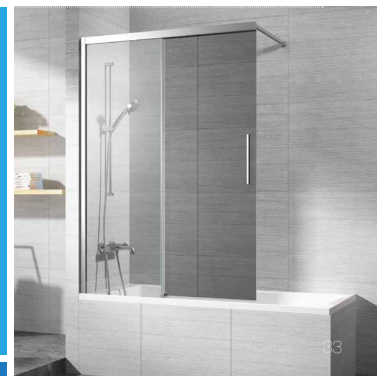
## ASSEMBLY DRAWING



Carefully inspect shower screen prior to installation.  
Once screen is installed no claim on damage will be accepted.

# METRO BATH SLIDER

PLEASE READ CAREFULLY AS NOT ALL INSTRUCTIONS ARE THE SAME



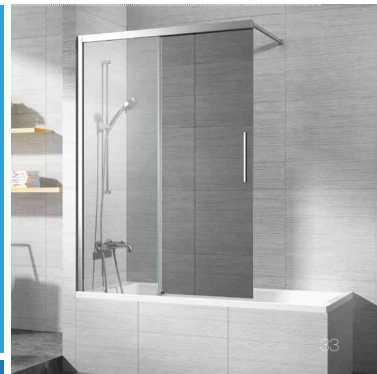
## REQUIRED PARTS

No.	Part	Pieces	No.	Designation	Pieces
1	 $\phi 6$	x 3	16		x 2
2		x 1	17		x 1
3		x 3	18		x 1
4	 $\oplus$ ST4*35	x 3	19		x 1
5	 $\oplus$ ST4*10	x 3	20		x 1
6	 $\oplus$ ST3.5*35	x 2	21		x 1
7		x 1	22		x 1
8 & 9		x 1 x 1	23	 $\oplus$ ST4*12	x 1
10		x 2	24	 $\oplus$ ST4*16	x 1
11		x 1	25		x 1
12		x 1	26		x 1
13	short 	x 1	27		x 1
14	long 	x 1	28	 $\oplus$ ST4*45	x 1
15		x 2	29		x 1
			30	 $\phi 6$	x 1
			31		x 1

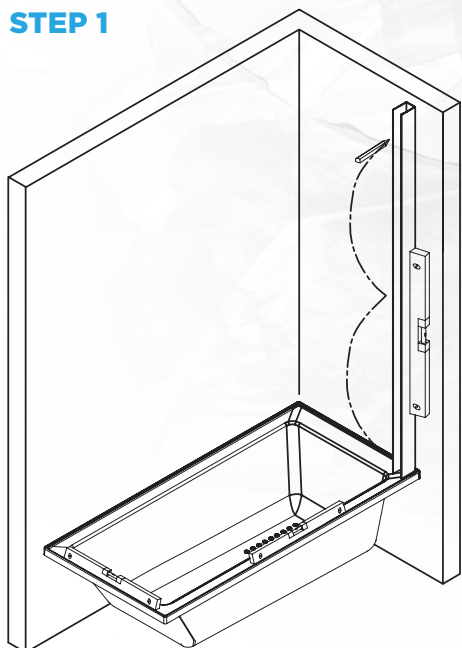


# METRO BATH SLIDER

PLEASE READ CAREFULLY AS NOT ALL INSTRUCTIONS ARE THE SAME

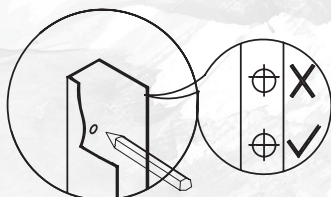


## STEP 1

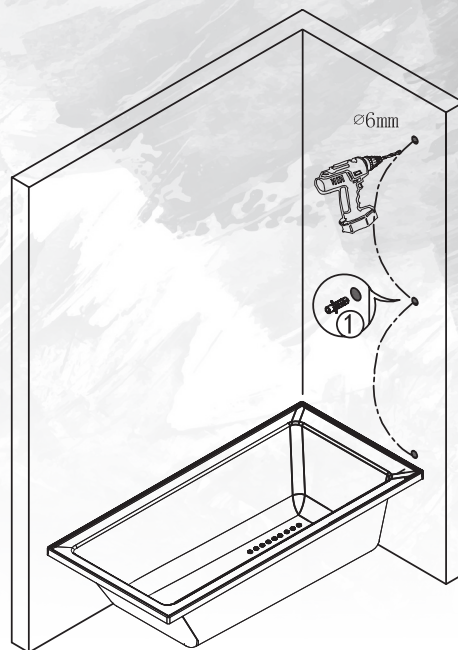


Wall jamb MUST be screw to stud or noggin

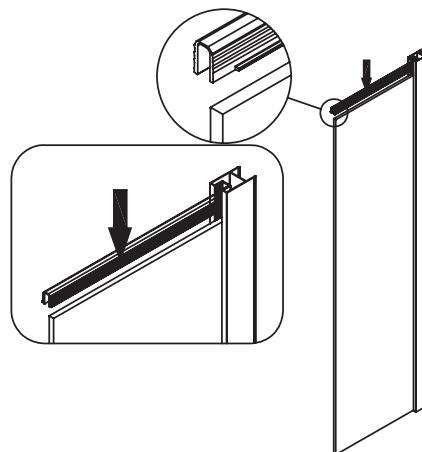
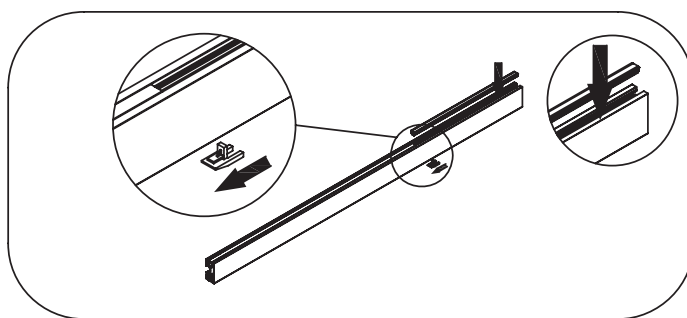
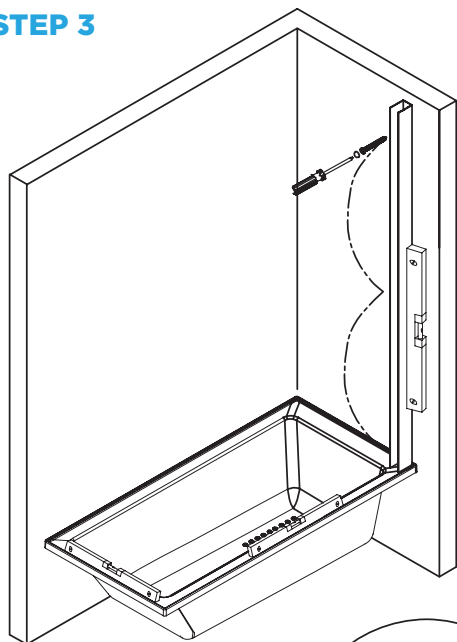
## STEP 2



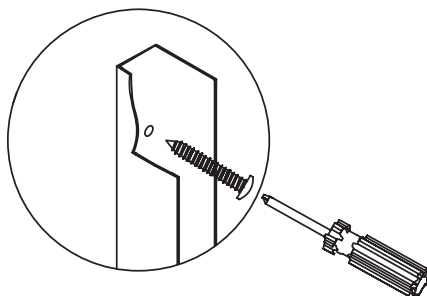
Screen sits inside tile flange on the flat surface of the bath (not on top of tile flange)



## STEP 3

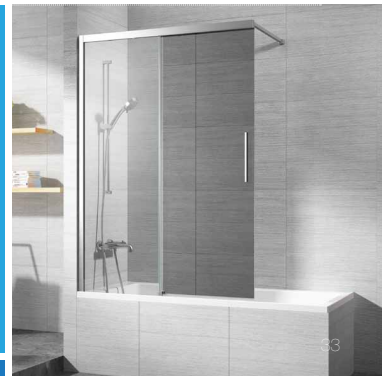


⊕ ST4\*35

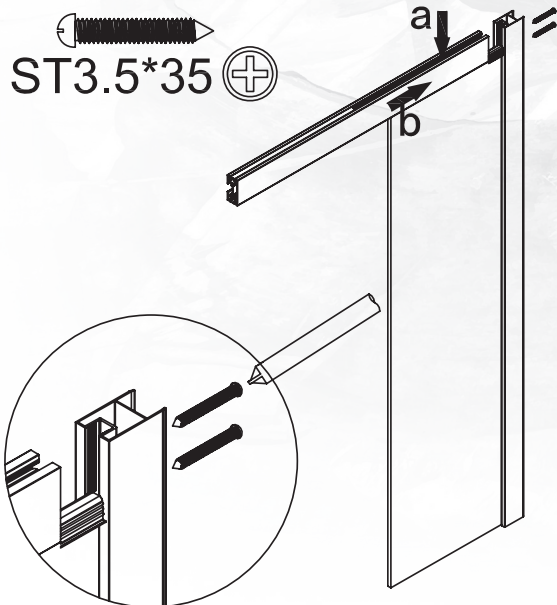


# METRO BATH SLIDER

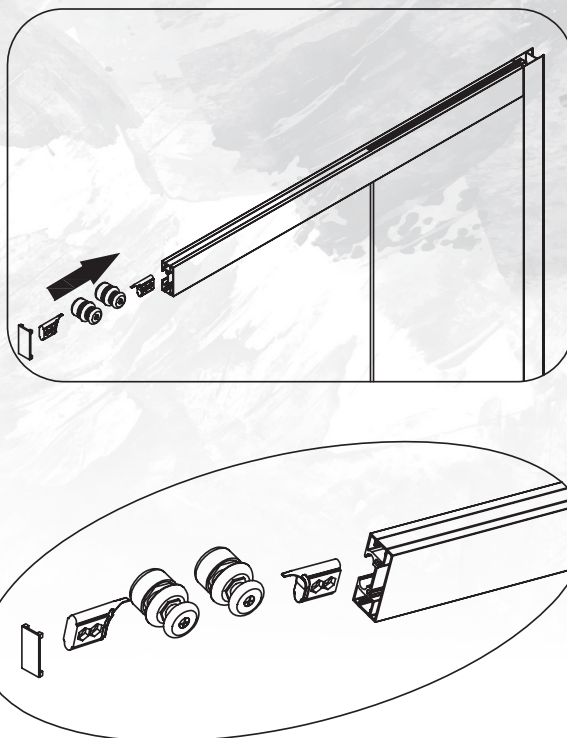
PLEASE READ CAREFULLY AS NOT ALL INSTRUCTIONS ARE THE SAME



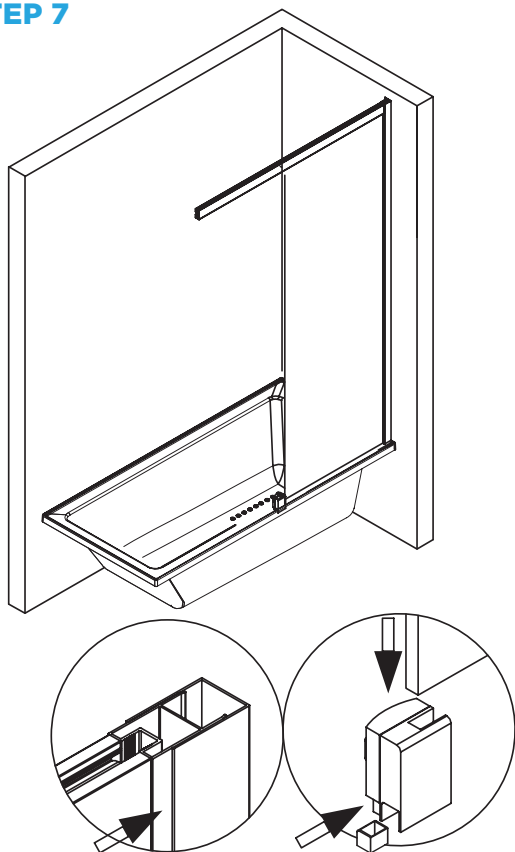
## STEP 5



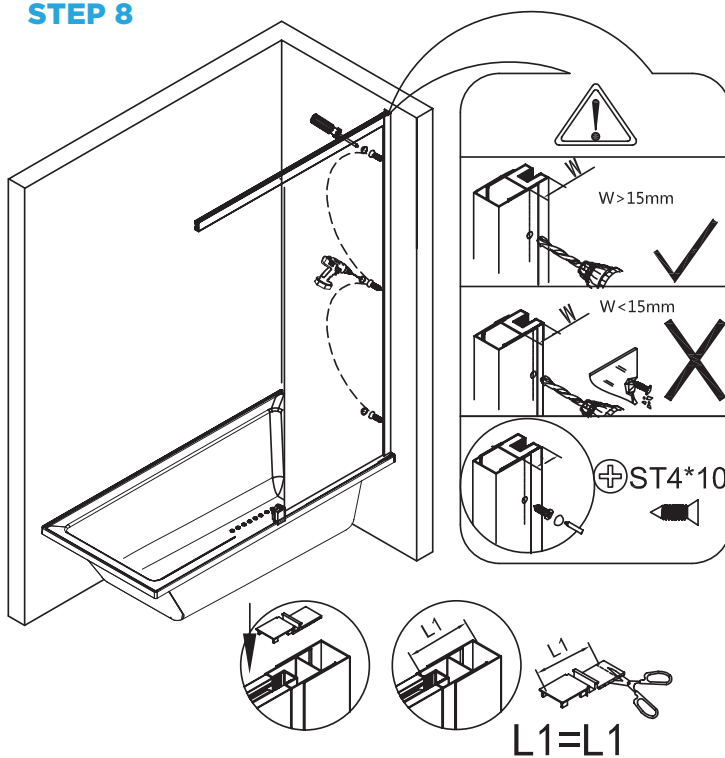
## STEP 6



## STEP 7

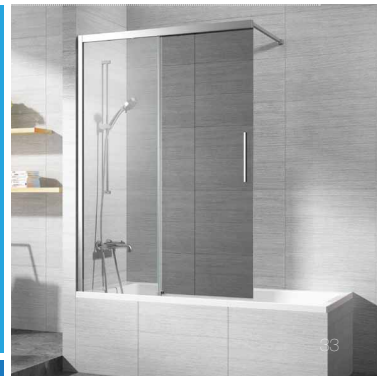


## STEP 8

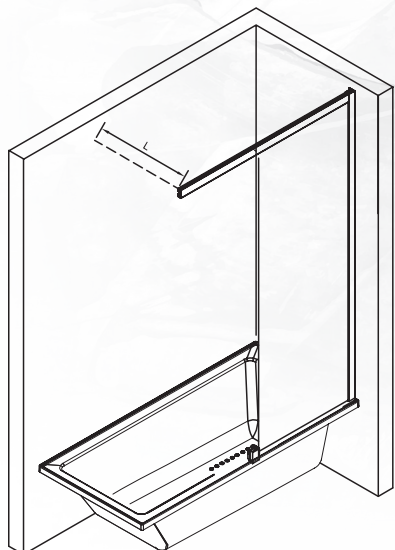


# METRO BATH SLIDER

PLEASE READ CAREFULLY AS NOT ALL INSTRUCTIONS ARE THE SAME



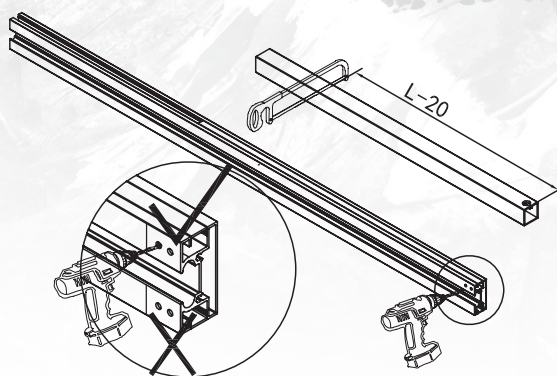
## STEP 9



## STEP 10

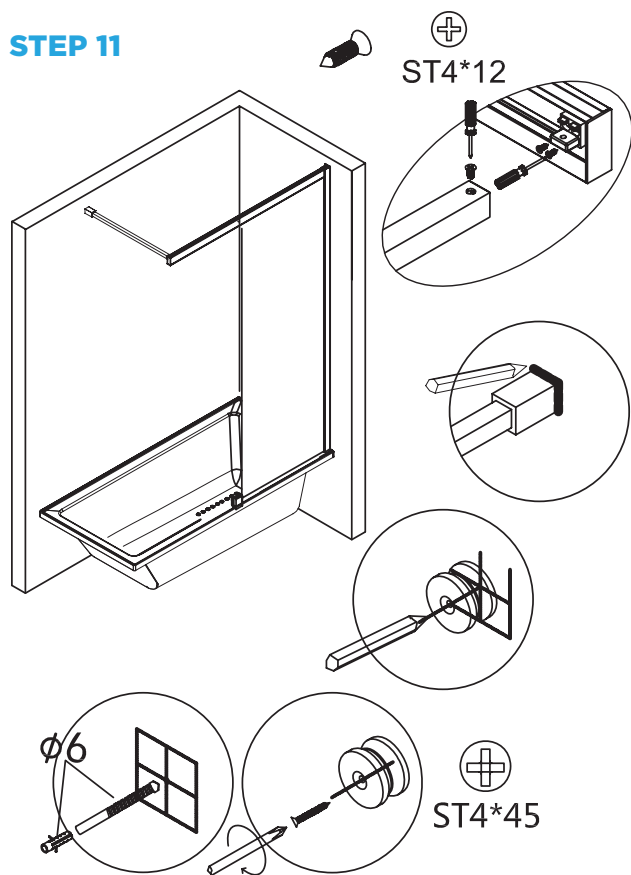
Top arm is cut to predetermined size if required, cut using a mitre box and new blade.

Carefully file excess material from cut edge before installation.

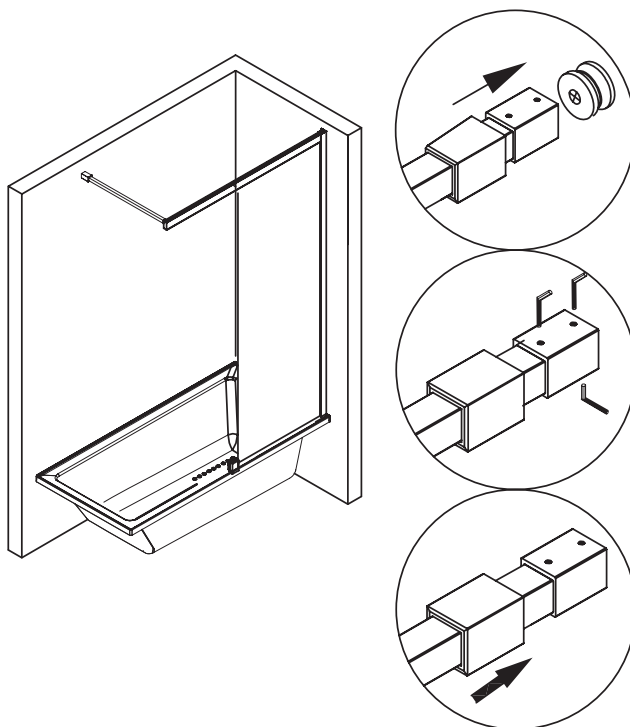


Ø3.2

## STEP 11



## STEP 12



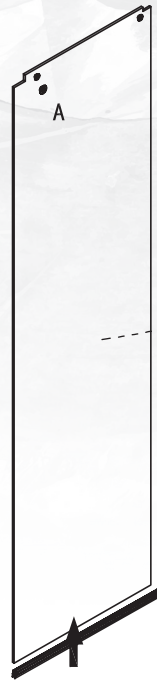
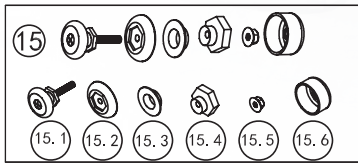
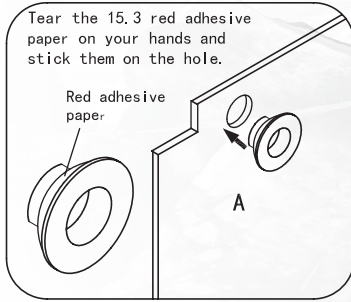


# METRO BATH SLIDER

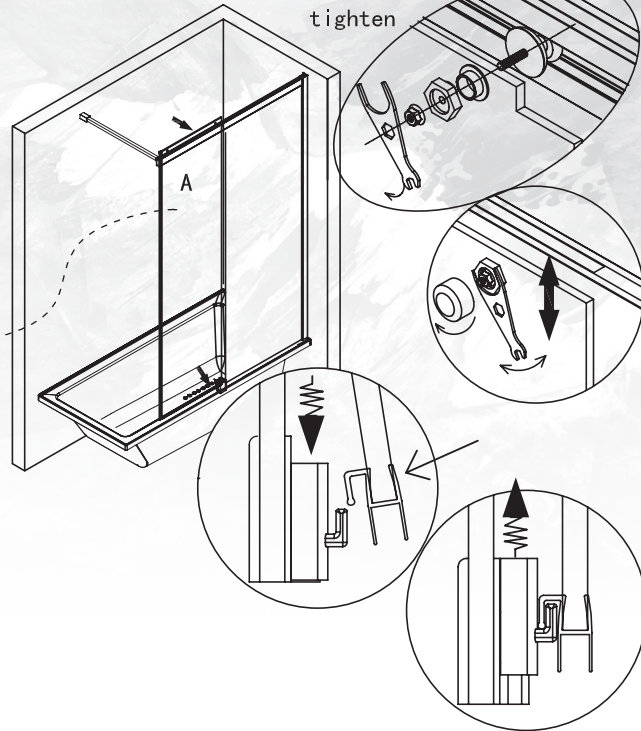
PLEASE READ CAREFULLY AS NOT ALL INSTRUCTIONS ARE THE SAME



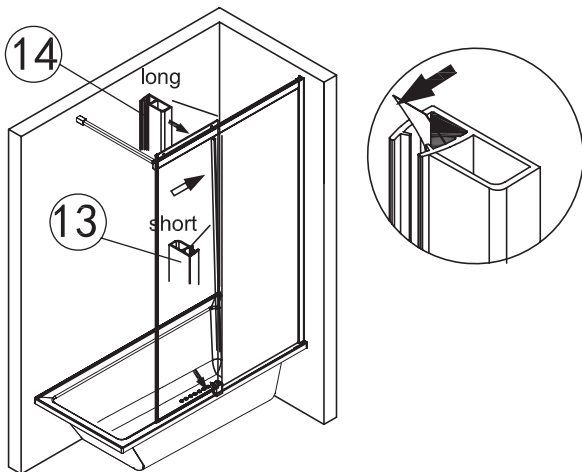
## STEP 13



## STEP 14

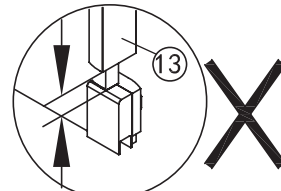
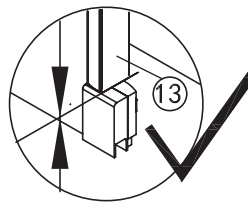
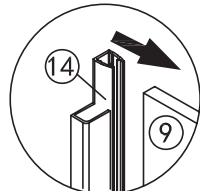
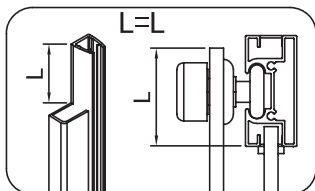


## STEP 15



Remove red tape from inside of buffer strip 13 and firmly press onto fixed panel.

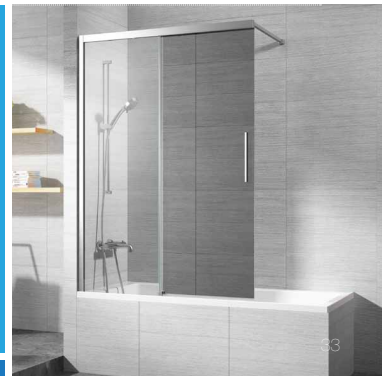
Remove red tape from inside of buffer strip 14 and firmly press onto the back of the door panel. Ensure both buffer strips are fully bonded to the edge of the fixed panel and door.



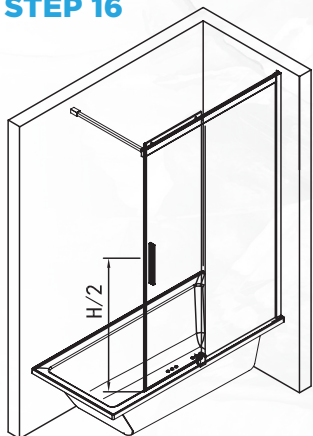


# METRO BATH SLIDER

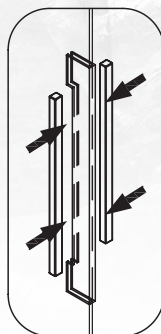
PLEASE READ CAREFULLY AS NOT ALL INSTRUCTIONS ARE THE SAME



## STEP 16



Tare  
tape



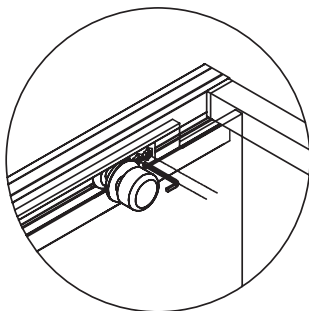
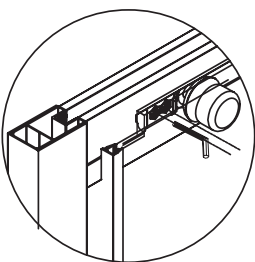
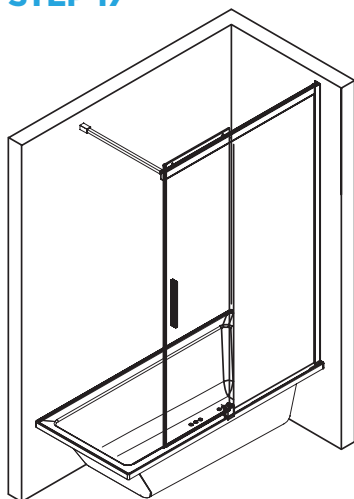
Use template to position handle.

Measure and position template in the middle of the door, use masking tape to hold template in position.

Remove paper backing from handle and position handle using the template.

Hold handle firm for 60 seconds and if required tape in position.

## STEP 17



## STEP 18

