

KUBIX SHOWER PANEL

SPECIFICATIONS

- 2 metre high shower screens
- 8mm Glass
- Adjustable for out-of-square walls
- Reversible left or right hand application
- Black, white or chrome options
- Suitable for Stonelite™ shower base and tile floor installation
- Adjustable size range
- Mix and match sections to suit your size requirements
- Australian Standards AS/NZ2208, AS1288

KUBIX PANEL

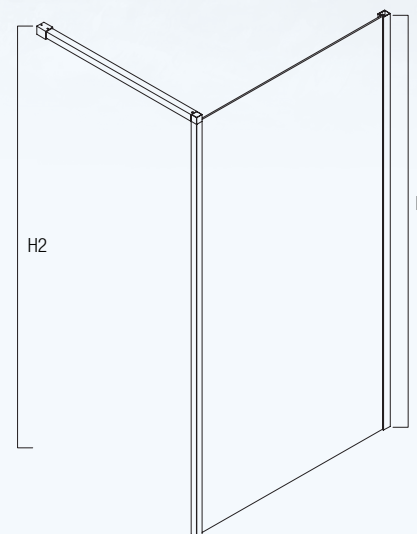
Size	Chrome	Matt Black	Matt White	Size	Range (mm)
900	KUSP90C	KUSP90MB	KUSP90MW	900 x 2000	855 - 880
1000	KUSP100C	KUSP100MB	KUSP100MW	1000 x 2000	955 - 980
1200	KUSP120C	KUSP120MB	KUSP120MW	1200 x 2000	1155 - 1180
1500	KUSP150C	KUSP150MB	KUSP150MW	1500 x 2000	1455 - 1480

Support arms can be cut to suit requirements. Range 855mm – 880mm included with 900, 1200, 1500 shower panels. Range 955mm – 980mm included with 1000 shower panel.

Size	Width	Depth	Height	Height 2
	A	B	H	(H2)
900 x 900	855 - 880	855 - 880	2000	2032
900 x 1000	955 - 980	855 - 880	2000	2032
1200 x 900	1155 - 1180	855 - 880	2000	2032
1500 x 900	1455 - 1480	955 - 980	2000	2032

oceano.com.au

All nominated sizes are approximate and correct at time of publication. Oceano reserves the right to make modifications without prior notice. *Conditions Apply. Updated April 2024



oceano
BATHROOM