

# URBAN MK11 SHOWER BASE

## SPECIFICATIONS



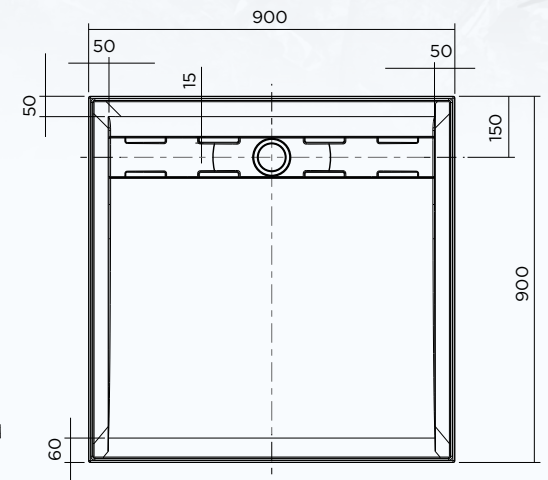
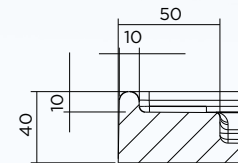
### URBAN MK11 SHOWER BASE 900 x 900 REAR OUTLET

**ITEM CODE: 2UR900R**

- Cement based tile adhesive or mortar bed installation
- Low Profile 40mm high
- Stonelite™ Solid Cast Construction
- 10mm wide tile flange on all four sides
- Sanitary grade gelcoat surface
- Stainless Steel Channel Grate included
- Weight 32KG



*Stainless Steel Grate detail*



**10 Year  
Replacement  
Warranty\***

**ALSO AVAILABLE IN:**

- 1000 x 1000 Rear Outlet
- 1200 x 900 Rear Outlet
- 1500 x 900 Rear Outlet

**oceano.com.au**

All nominated sizes are approximate and correct at time of publication. Oceano reserves the right to make modifications without prior notice. \*Conditions Apply. Updated February 2024

**oceano**  
BATHROOM